

# SPECIALTY SENSORS



## DAMPER POSITION SWITCH MODEL TS-470

### DESCRIPTION

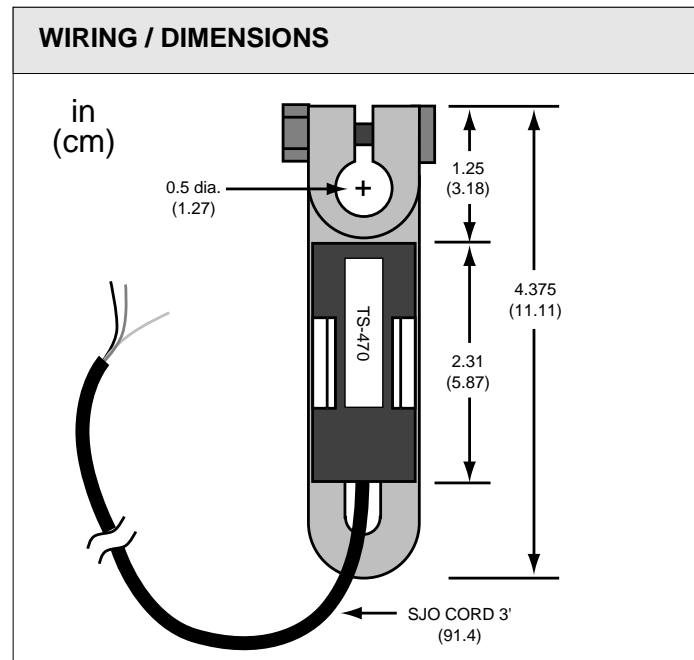
The **TS-470** consists of an encapsulated mercury switch mounted on a 1/2" (1.27 cm) damper crank arm. The **TS-470** can be mounted on a damper control shaft to give an indication of damper position (open or closed).

### FEATURES

- *Easy to install*
- *Maintenance free*
- *SPDT switch*
- *Easily adjustable*
- *3' SJO 18/3 cable*



SPECIFICATIONS	
<b>Switch type</b>	Encapsulated mercury switch SPDT
<b>Switch rating</b>	2 amps @ 120 VAC 1 amp @ 240 VAC
<b>Switch angle</b>	15° max included angle between make & break
<b>Mounting</b>	1/2" damper crank arm
<b>Wiring</b>	Green - Common Black - Normally Closed White - Normally Open



### ORDERING INFORMATION

**TS-470 Damper Position Switch**