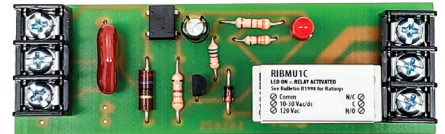
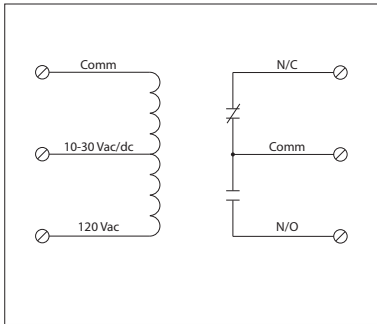


**15 AMP TRACK MOUNT CONTROL RELAYS**

**RIBMU1C**

4.00" Track Mount Relay 15 Amp SPDT with 10-30 Vac/dc/120 Vac Coil



**SPECIFICATIONS**

**# Relays & Contact Type:** One (1) SPDT Continuous Duty Coil  
**Expected Relay Life:** 10 million cycles minimum mechanical  
**Operating Temperature:** -30 to 140° F  
**Humidity Range:** 5 to 95% (noncondensing)  
**Operate Time:** 20ms  
**Relay Status:** LED On = Activated  
**Dimensions:** 1.250" x 4.000" x 1.750"  
**Track Mount:** 4.000"  
**Approvals:** UL Listed, UL916, UL864, C-UL  
 California State Fire Marshal, CE, RoHS  
**Gold Flash:** Yes  
**Override Switch:** No

**Contact Ratings:**  
 15 Amp Inductive @ 150 Vac  
 15 Amp Resistive @ 150 Vac, 28 Vdc  
 10 Amp Resistive @ 277 Vac  
 480 VA Pilot Duty @ 240-277 Vac  
 480 VA Ballast @ 277 Vac  
*Not rated for Electronic Ballast*  
 600 Watt Tungsten @ 120 Vac (N/O)  
 240 Watt Tungsten @ 120 Vac (N/C)  
 1/3 HP @ 120-240 Vac (N/O)  
 1/6 HP @ 120-240 Vac (N/C)  
 1/4 HP @ 277 Vac (N/O)  
 1/8 HP @ 277 Vac (N/C)

**Coil Current:**  
 33 mA @ 10 Vac    13 mA @ 10 Vdc  
 35 mA @ 12 Vac    15 mA @ 12 Vdc  
 46 mA @ 24 Vac    18 mA @ 24 Vdc  
 55 mA @ 30 Vac    20 mA @ 30 Vdc  
 28 mA @ 120 Vac

**Coil Voltage Input:**  
 10-30 Vac/dc ; 120 Vac ; 50-60 Hz  
 Drop Out = 2.1 Vac / 2.8 Vdc  
 Pull In = 9 Vac / 10 Vdc