

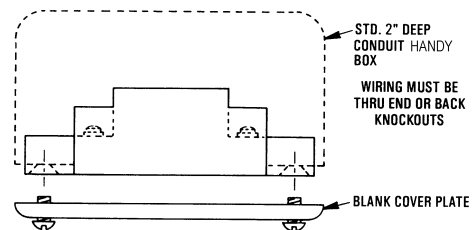
Installation Guide

Required Tools

- digital voltmeter
- small phillips screwdriver
- small flatblade screwdriver

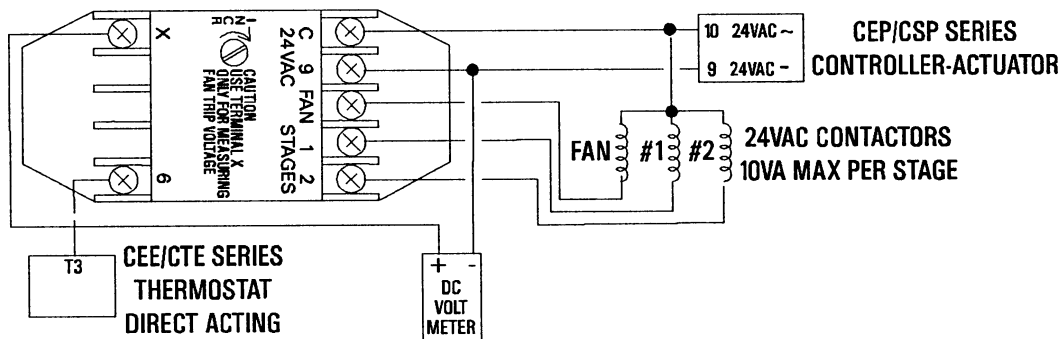
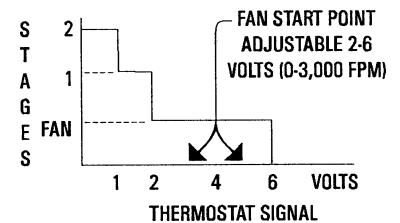
Mounting

- The REE-4002 may be mounted directly to a control box surface or in a 2" x 4" electrical handy box.
- Add a blank cover to conceal the module.



Wiring

- Supply the unit with 24 VAC, +20%/-15%
- A DC Voltmeter is shown across terminals "X" and "9" to measure the fans setpoint for recalibration. The setpoint is factory calibrated at 3 VDC.
- Check graph for output over a 0-6 VDC.



Maintenance

No routine maintenance is required, however protection from extremes of humidity and dirt is recommended.

Careful installation will also ensure long term reliability and performance.

KMC Controls
 P.O. Box 497
 19476 Industrial Drive
 New Paris, IN 46553
 U.S.A.
 TEL: 574.831.5250
 FAX: 574.831.5252
 E-mail: info@kmccontrols.com