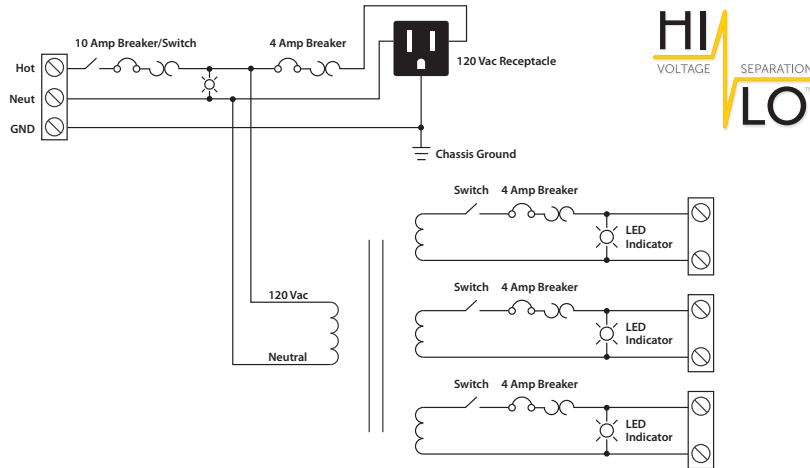


**AC POWER SUPPLY**

**PSH300AB10-LVC**

Enclosed 300VA Power Supply, **High/Low Voltage Separation** with Three 100VA Class 2 Outputs, 120 Vac to 24 Vac with 120 Vac Receptacle



PSH300AB10-LVC  
Shown With High Voltage Cover & Low Voltage Access Plate

**SPECIFICATIONS**

**Transformer:** One (1) 300 VA  
**Over Current Protection:** Circuit Breaker  
**Primary:** 120 Vac  
**Frequency:** 50/60 Hz  
**Main Breaker ON/OFF:** Switch / Breaker (10 Amp)  
 (Kills power to entire unit: 1 Outlet & Transformer)  
**Approvals:** Class 2 (UL Approved UL5085-3), UL916, C-UL, CE, RoHS  
**Components:** OSP-0201-10  
**Dimensions:** 12.125" x 12.125" x 6.000"  
**Housing:** NEMA1 Metal Enclosure with high/low separation

**3 Secondaries:**  
 24 Vac, with LED Indicators  
 4 Amp breaker for each output  
**24 Vac ON/OFF:**  
 On / Off Switch & Breaker

**Input:**  
 120 Vac **Finger-Safe Terminals**, 8-18 AWG  
**Output:**  
 3 Ungrounded, Isolated, 100 VA Class 2, 24 Vac Outputs. Removable Terminals accept 16-22 AWG wire.

**Ambient Temperature Derating:**  
 4A up to 40° C ; 3A up to 50° C ; 2A up to 55° C  
 (When All 5 Outputs Operated Simultaneously)

**Notes:**

- 4A (Breaker protected) Convenience Receptacle Provided
- Design is in accordance with ASCE 7-05 Chapter 13: <sup>^</sup> www.oshpd.ca.gov/FDD/Pre-Approval/OSP-0201-10.pdf

**Standby Wattage:**  
 16.61 W @ 120 Vac  
**Full Load Primary Current:**  
 2.66 A @ 120 Vac  
**Secondary Output Voltage vs. Load:**  
 24.5 V @ 1 Amp  
 23.5 V @ 2 Amp  
 22.8 V @ 3 Amp  
 22.3 V @ 4 Amp  
 • When all 5 outputs operated simultaneously, at room temperature