



**Important:** Read and save these instructions. This guide to be left with equipment owner.



# RH2

## **Installation and Operation Manual**

Includes installation, operation  
maintenance and troubleshooting  
information for your RH2 Electric  
Steam humidifier

## ***Thank you for choosing Nortec.***

INSTALLATION DATE (MM/DD/YYYY)

MODEL #

SERIAL #

CYLINDER #

### **Proprietary Notice**

This document and the information disclosed herein are proprietary data of WALTER MEIER LTD. Neither this document nor the information contained herein shall be reproduced, used, or disclosed to others without the written authorization of WALTER MEIER LTD., except to the extent required for installation or maintenance of recipient's equipment. All references to the Nortec name should be taken as referring to WALTER MEIER LTD.

### **Liability Notice**

Nortec does not accept any liability for installations of humidity equipment installed by unqualified personnel or the use of parts/components/equipment that are not authorized or approved by Nortec.

### **Copyright Notice**

Copyright 2008, WALTER MEIER LTD. All rights reserved.

# Contents

---

## **1 Introduction**

2 Receiving and Unpacking

2 RH2 Models

3 Options and Accessories

## **5 Installation**

6 Typical RH2 Installation

7 Location

8 Mounting with Keyholes

9 Plumbing

10 Steam Lines and Condensate  
Returns

14 Electrical

15 External Controls

20 Options and Accessories

## **21 Start Up**

22 Installation Check

23 RH2 User Interface

24 Start Up Procedure

26 Start Up Checklists

## **29 Operation**

30 LED Status Lights

30 Selecting an RH2 Setpoint

31 Humidifier Components

34 How the Humidifier Works

36 Humidifier Configuration

## **38 Maintenance and Servicing**

39 Required Maintenance

43 Extended Shutdown

44 Maintenance Checklist

## **45 Troubleshooting**

47 General Troubleshooting

49 RH2 Faults

51 Wiring Diagrams

## **52 Spare Parts**

## **56 Warranty**

# Introduction



## **CAUTION: Servicing**

- Disconnect main power before any servicing.
- The plumbing and electrical compartments contain high voltage components and wiring. Access should be limited to authorized personnel only.
- During and following operation of the humidifier, the steam and components in contact with the steam such as the blower pack, steam lines, steam distributors, and condensate lines can become hot and can burn if touched.
- Walter Meier does not accept any liability for installations of humidity equipment installed by unqualified personnel or the use of parts/components/equipment that are not authorized or approved by Walter Meier.



## **CAUTION: Electrical**

- All electrical work should be done according to local and national electrical code.
- Electrical connection to be performed by a licensed electrician.



## **CAUTION: Plumbing**

- Plumbing to be performed by a licensed plumber.
- Drain water from humidifier can be very hot. Do not drain to public sink.
- All plumbing work should be done according to local plumbing code.



## **CAUTION: Installation**

- Do not mount on hot surfaces.
- Do not mount in area where freezing can occur.
- Do not mount on vibrating surface.
- Do not mount on floor.
- The RH2 produces steam at atmospheric pressure no devices which could block steam output should be connected to the steam outlet.
- Steam lines must be installed so that no restriction can produce backpressure in the humidifier.
- Regardless of selecting on/off or modulating control method, Nortec humidifiers must have a closed circuit across its on/off security loop control terminal to operate. Nortec highly recommends the use of a duct high limit humidistat.

## Receiving and Unpacking

- 1 Check packing slip to ensure ALL material has been delivered.
- 2 All material shortages are to be reported to Nortec within 48 hours from receipt of goods. Nortec assumes no responsibility for any material shortages beyond this period.
- 3 Inspect shipping boxes for damage and note damages on shipping waybill accordingly.
- 4 After unpacking, inspect equipment for damage and if damage is found, notify the shipper promptly.
- 5 All Nortec products are shipped on an FOB factory basis. Any and all damage, breakage or loss claims are to be made directly to the shipping company.

## Before Installation

- 1 Ensure that available voltage and phase corresponds with humidifier voltage and phase as indicated on humidifier's specification label.
- 2 Ensure that the dedicated external fuse disconnect is of sufficient size to handle the rated amps as indicated on the specification label. Refer to local codes.
- 3 Report any discrepancy immediately to the site engineer.
- 4 Ensure sufficient clearances will be available as described in the Location section on page 7.
- 5 Ensure steam lines can be routed to distributor or blower pack as described in Steam Lines and Condensate Returns on page 10.

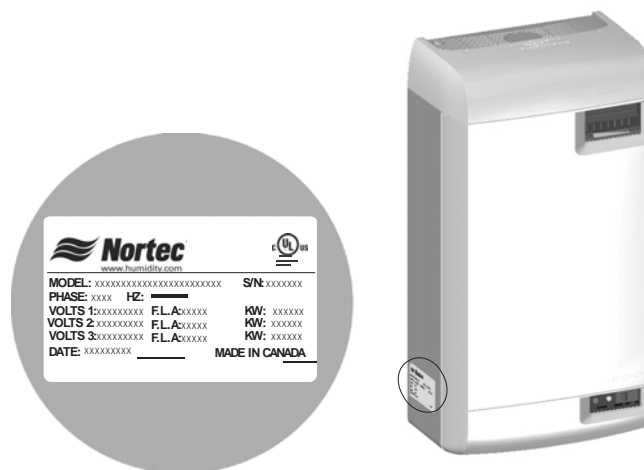
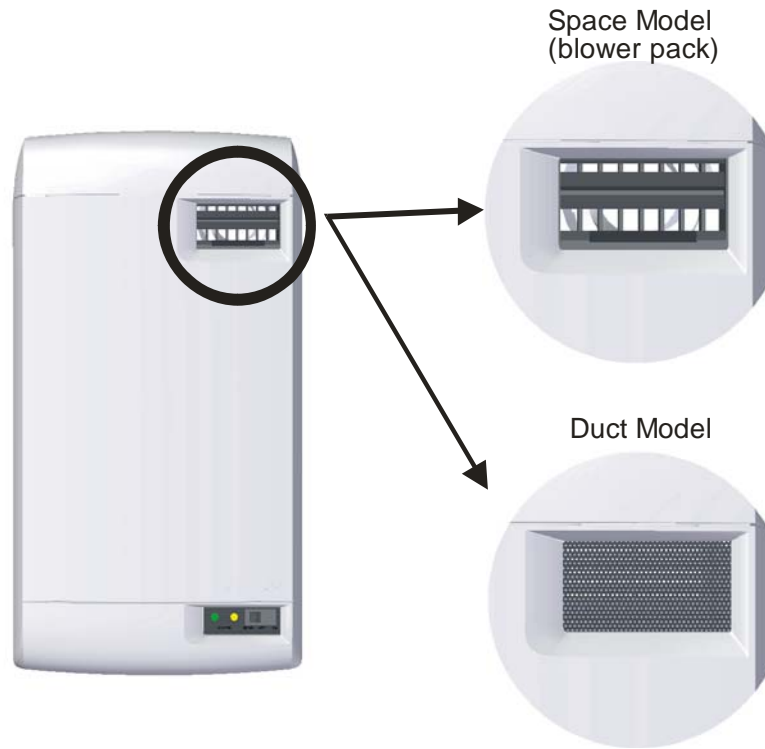


Figure 1: Specification Label Location

## RH2 Models

The RH2 is the most advanced residential steam humidifier available and provides steady and reliable humidification for a home using the same proven cylinder technology as Nortec's commercial NHTC. The RH2 is available in 2 models. The duct model is designed for connection to a steam distributor installed in a supply air duct or for connection to a remote blower pack. The space model is designed for applications where humidity is to be introduced directly into the space being humidified. The two models can be differentiated by the grille in the humidifiers front cover, see Figure 2: RH2 Models.



**Figure 2: RH2 Models**

**Table 1: RH2 Specifications**

Model - Part No.	Volts	Capacity lb (kg)	KW	Amps	Phase	Max Ext Fuse	Standard Cylinder	Net/Full Weight lb (kg)
RH2 Space - 2548004	110-120	4 (1.8)	1.5	12.7	1	20	202	16 / 22 (7.5 / 10.0)
	208	6.9 (3.1)	2.6					
	220-240	8 (3.6)	3.0					
RH2 Duct - 2548005	110-120	5 (2.3)	1.9	15.9	1	20	202	15 / 21 (7.0 / 9.5)
	208	8.7 (4.0)	3.3					
	220-240	10 (4.6)	3.8					

## Options and Accessories

Nortec provides a complete line of options and accessories for every humidification application. The following options and accessories are available and may have been delivered with your RH2 humidifier. Refer to the installation instructions that came with the accessories for their proper installation and operation.

**Table 2: Options and Accessories**

Option / Accessory	Used For
Steam Distributors	Adding steam into air ducts.
Remote Blower Pack	Adding steam into a space remote from the humidifier.
Digital or Modulating Control Humidistats	Controlling the output of the humidifier based on sensed RH2.
Digital or Modulating High Limit Humidistats	Preventing over humidification in a duct by shutting down or throttling down the humidifier when duct RH2 gets high.
Air Proving Switches	Insuring humidification only occurs when air is moving in a duct.



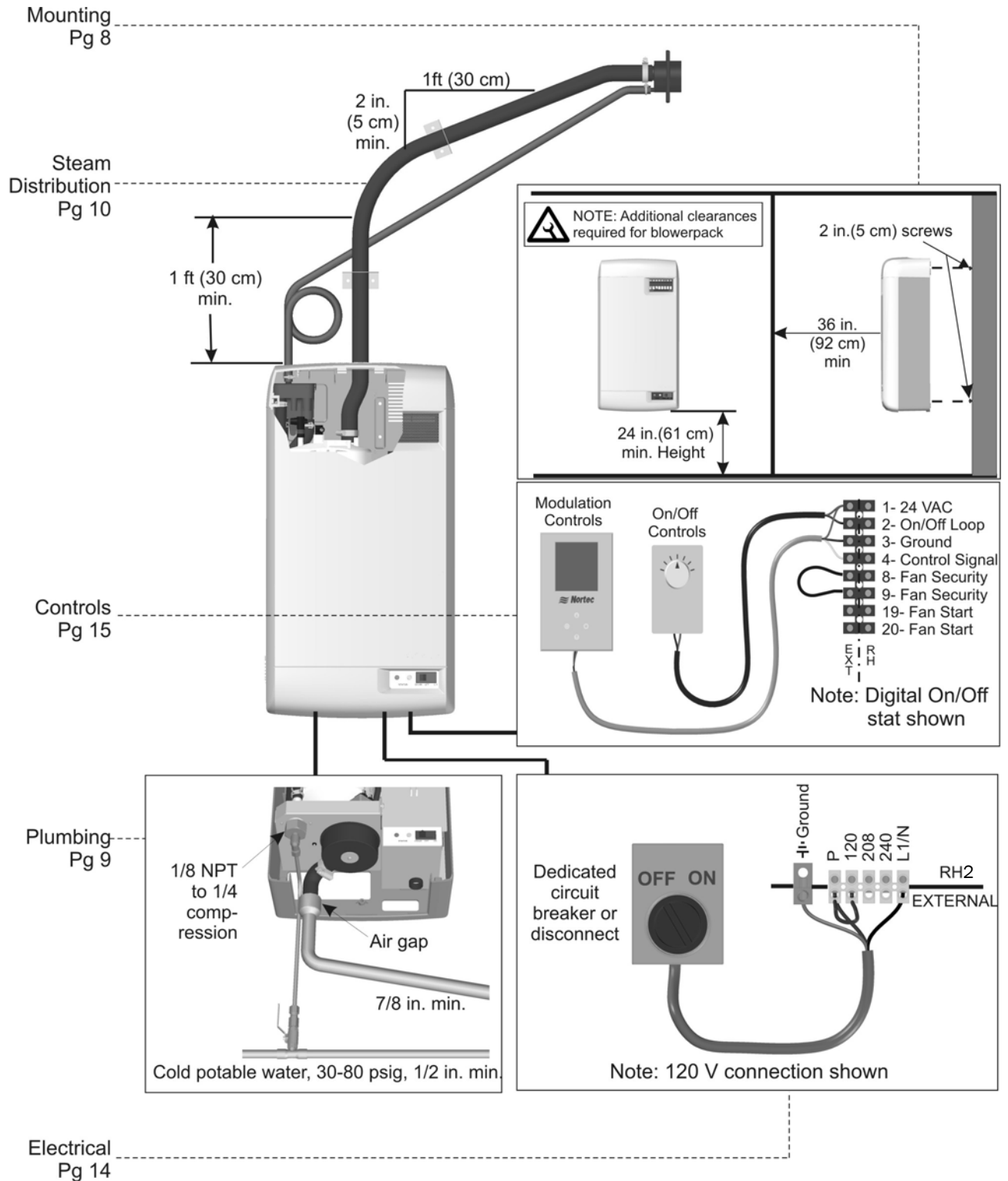
# Installation

---

<b>6</b>	<b>Typical RH2 Installation</b>
<b>7</b>	<b>Location</b>
<b>8</b>	<b>Mounting with Keyholes</b>
<b>9</b>	<b>Plumbing</b>
<b>10</b>	<b>Steam Lines and Condensate Returns</b>
<b>14</b>	<b>Electrical</b>
<b>15</b>	<b>External Controls</b>
15	Control Location
15	Control Wiring
16	On/Off Control Wiring
17	Modulating Control Wiring
19	Optional Outdoor Temperature Reset
<b>20</b>	<b>Options and Accessories</b>
20	Remote Blower Pack



# Typical RH2 Installation



**Figure 3: Typical Humidifier Installation**

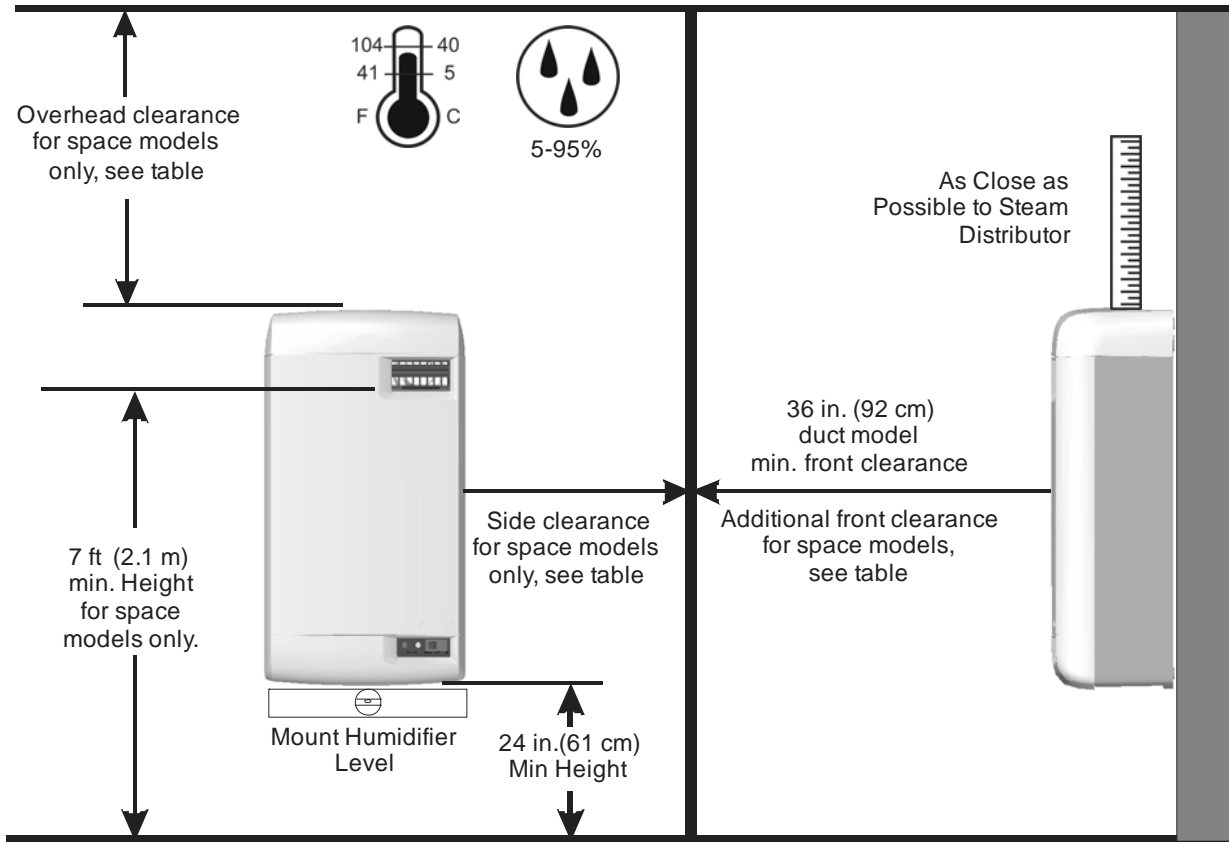
# Location

Mount on a suitable wall or vertical surface. Do not sit the on the floor to allow clearances required for plumbing and electrical connections. Clearance dimensions shown are for reference only and are the minimum required for maintenance of the humidifier. Consult local and national codes before final location and installation. Nortec does not accept responsibility for installation code violations.

- Install only in areas with ambient temperature 41-104 °F (5 – 40 °C) relative humidity 5 - 95%.
- When possible install below the steam distributor. If mounted above the steam distributor take care to provide proper steam line routing and proper condensate traps.
- DO NOT locate the humidifier any further then absolutely necessary from the steam distributor location as net output will be reduced as a result of heat loss through the steam line.
- When possible, mount the RH2 humidifier at a height convenient for servicing.



**Note:** Do not mount on hot surfaces, where freezing can occur, vibrating surface, or floor.



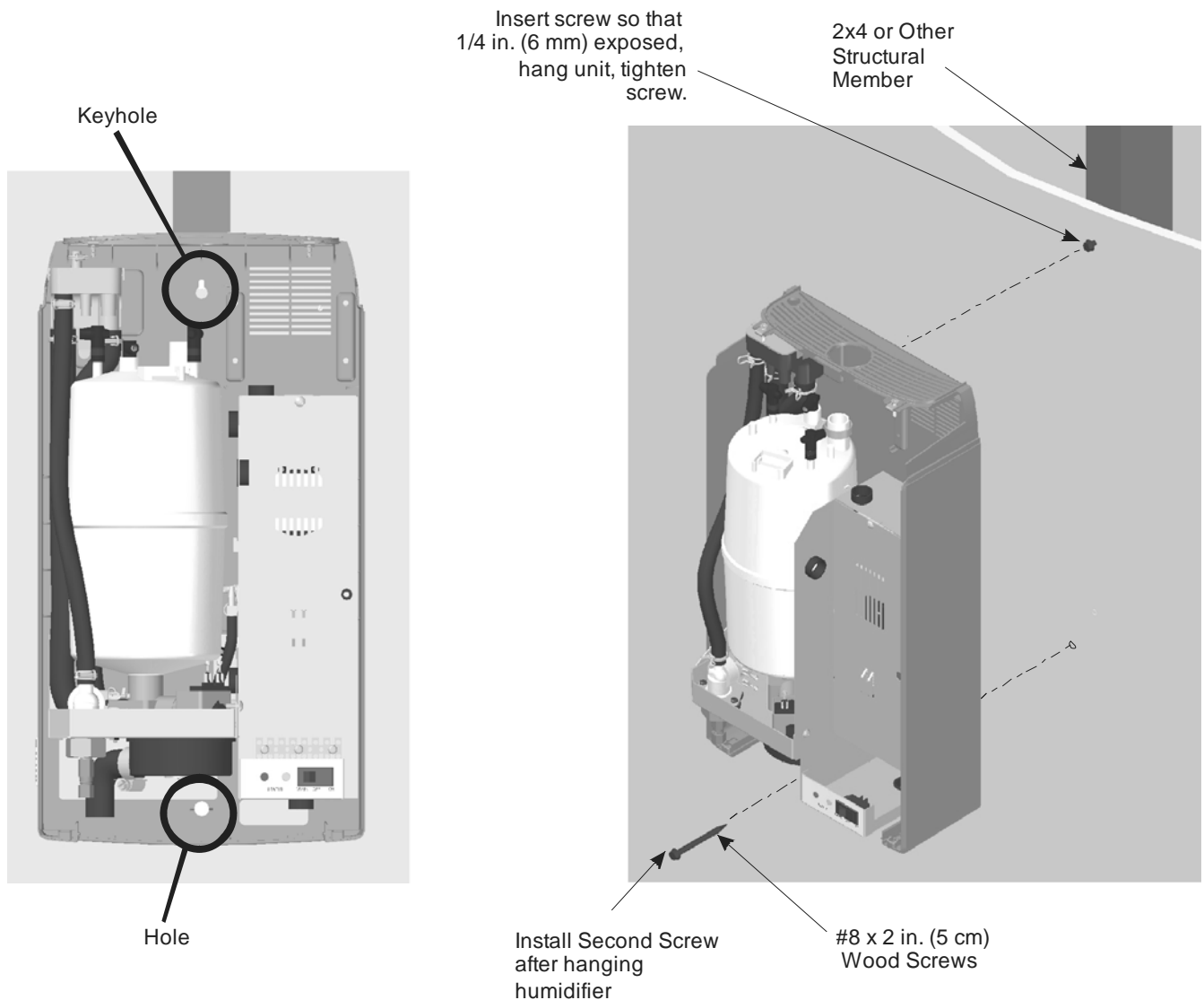
Humidifier Output lb (kg)	Additional Clearance for Space Models Only		
	Side in. (cm)	Overhead in. (cm)	Front in. (cm)
<4 (1.8)	12 (30)	12 (30)	36 (92)
6 (2.7)	16 (40)	18 (46)	42 (107)
8 (3.6)	18 (46)	18 (46)	48 (120)

**Figure 4: Mounting Location / Clearance**

## Mounting with Keyholes

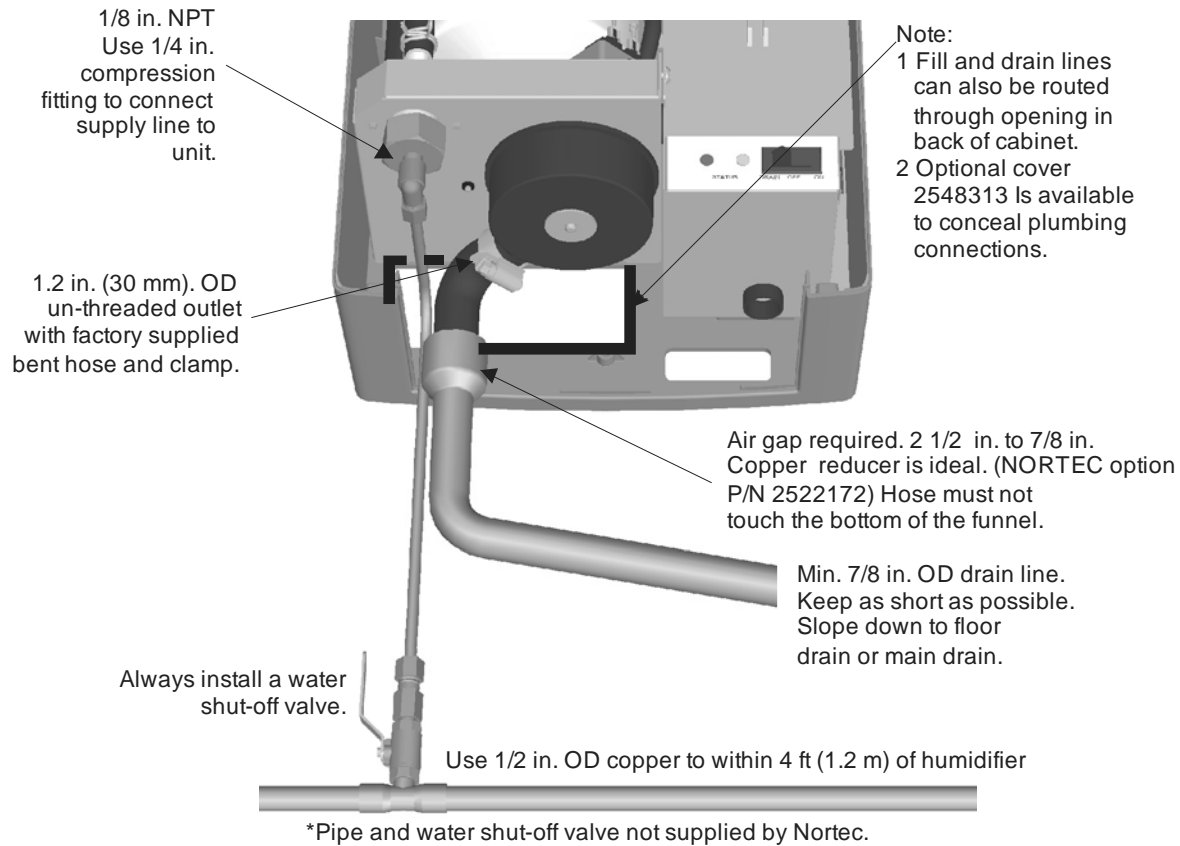
- 1 The RH2 humidifier is wall mounted using a keyhole located on the back of the unit's cabinetry.
- 2 Use #8 x 2 in. (5 cm) screws mounted into 2x4 studs or better. 2 screws are needed, one for hanging the unit and one for securing it so it will not lift off the keyhole.
- 3 Install the top screw so that 1/4 in. (6 mm) is exposed. Raise the unit and place the screw head through the keyhole.
- 4 Make sure the unit is level and then insert and tighten the second screw through the bottom hole. Tighten the top screw. See Figure 5: Mounting With Keyholes.

**Note:** Use screws longer than 2" (5 cm) if drywall or other spacer is present.



**Figure 5: Mounting With Keyholes**

## Plumbing



**Figure 6: Water Supply and Drain Connection**



### Note:

- Drain water is very hot, do not drain to public sink.
- Do not use plastic pipe for drain.

- All water supply and drain line connections should be installed in accordance with local plumbing codes.
- Supply water should at 30 to 80 PSIG and be between 150-1200 Microsiemens (Hardness 0-12 GPG). Consult factory for water conditions outside of this range. Water softener may be used if conductivity remains in recommended range.
- Install water shut off valve before humidifier to facilitate servicing.
- The drain line should not end in a sink used frequently by personnel, or where plumbing codes prohibit it. Route to a floor drain or equivalent for safety reasons.
- Insure drain line is adequately sized to provide free and easy draining and that an air gap is installed as shown. A restricted drain can cause cylinder water to over concentrate and result in poor operation.
- If a drain is not located near the humidifier use a condensate pump rated for hot drain water such as Nortec's Part Number 1429527.



### For humidifiers installed in some cities including the City of Los Angeles:

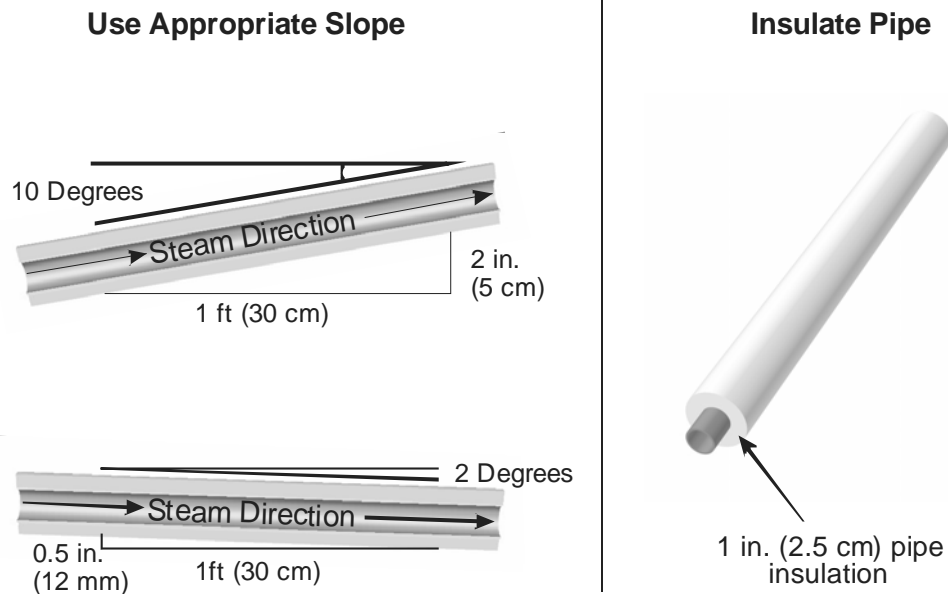
A city-approved spring-loaded double ball CHECK VALVE must be installed by contractor on the potable water inlet to the humidifier. Recommended valve manufacturer: Watts Regulator, phone number 508-688-1811, Size depending on supply line 1/4", 3/8", or 1/2" NPT inlet and outlet, Model #7.

# Steam Lines and Condensate Returns



## MAIN RULES FOR ATMOSPHERIC STEAM LINES

- Slope the steam lines
- Trap condensate (Use full size 'T' for Traps)
- Condensate traps must be a minimum of 3 in. (15 cm) in height or duct static pressure + 2 in. whichever is greater.
- Steam lines must not have any restrictions which could cause back pressure.
- Insulate with 1.0 in. (2.5 cm) pipe insulation
- Follow recommended materials, size and length see tables.



**Figure 7: Main Steam Line Requirements**

**Table 3: Recommended Steam Line Material**

Steam Line Material	Steam Line Length		Steam Line Description
	ft	m	
Copper Tube	0-10	0-3	3/4 in MED-L Tubing (7/8 in. OD)
	10+	3+	*1 in. MED-L Tubing (1 1/8 in. OD)
Stainless Steel Tube	0-20	0-6	1 1/2 in. MED-L Tubing (1 5/8 in. OD)
	20+	6+	*2 in. MED-L Tubing (2 1/8 in. OD)
Nortec Hose	< 10	< 3	Part Number 1328810 (7/8")

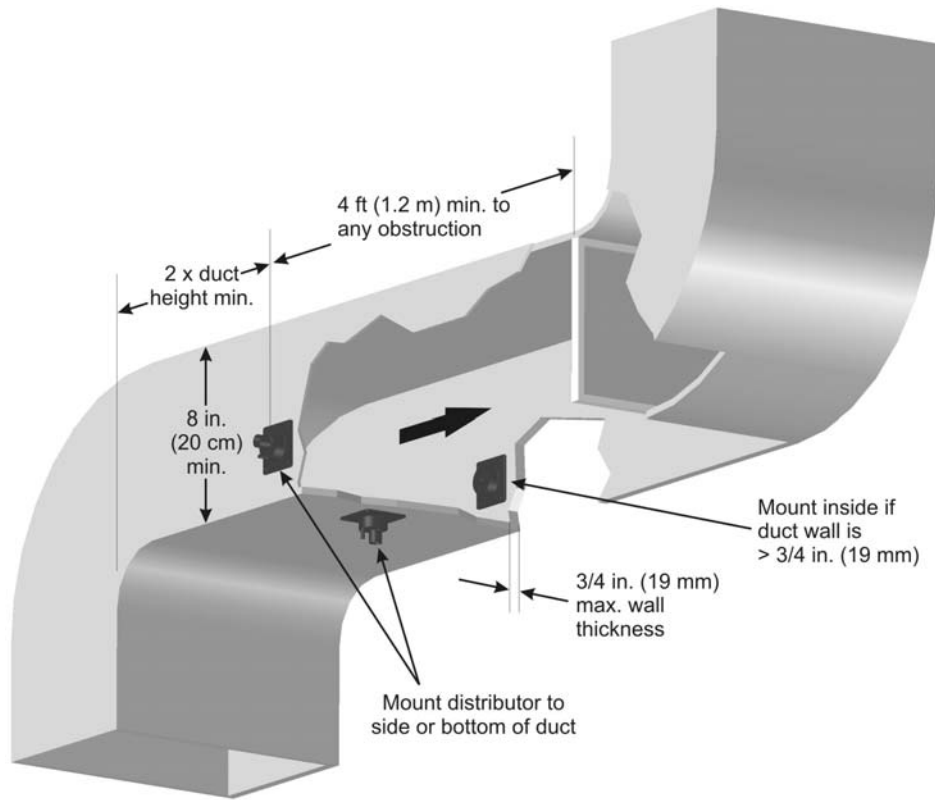
**Note:** \* These diameters require a reducer at humidifier and steam distributor connection. Use Nortec part number 1115444 at humidifier to prevent backpressure caused by condensation collecting at the reduction.

**Table 4: Maximum Recommended Length of Steam Line**

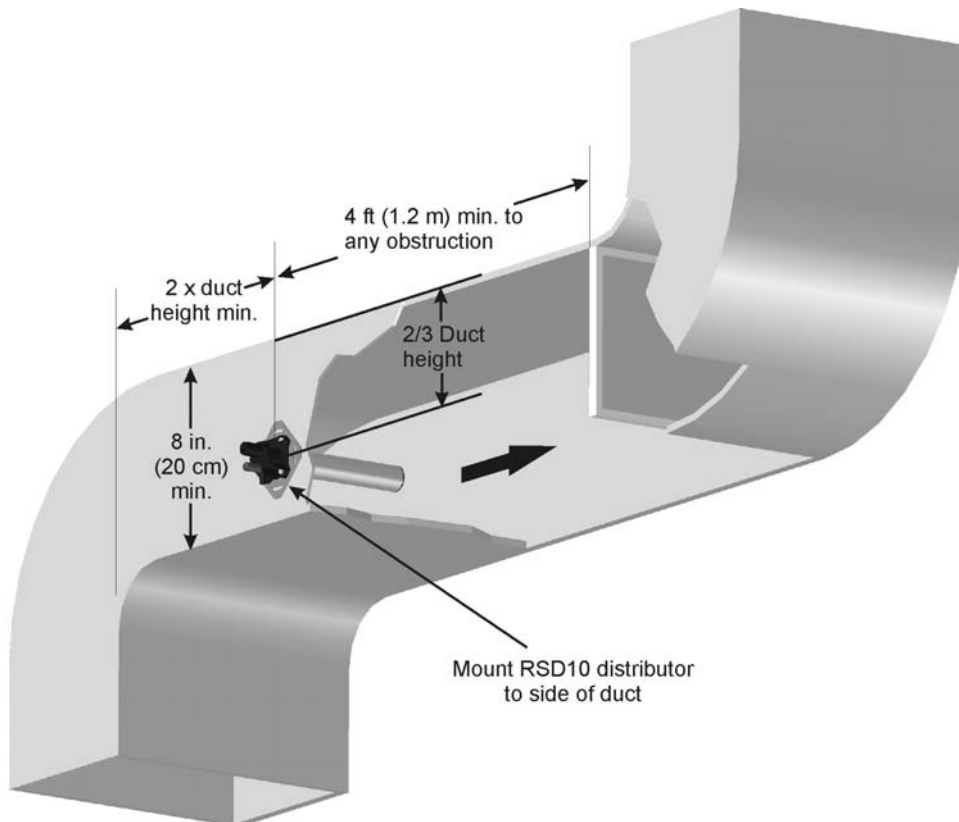
Steam Output (lb/hr)	Distance (ft)	Possible Loss (lb/hr)	Steam Line Size (in)
5	8	1.0	3/4
10	15	1.5	3/4

**NOTE:** 1 Use one inch copper steam line for longer runs.

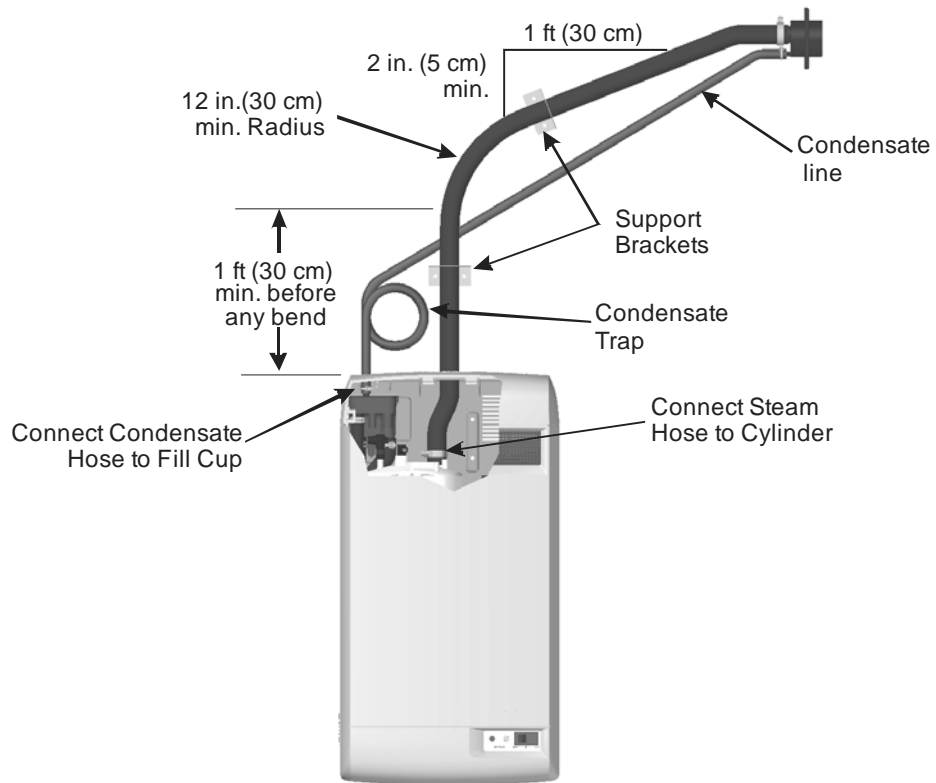
2 The use of steam line other than copper, stainless steel tube or Nortec supplied steam line will void the warranty and may adversely effect the operation of the humidifier



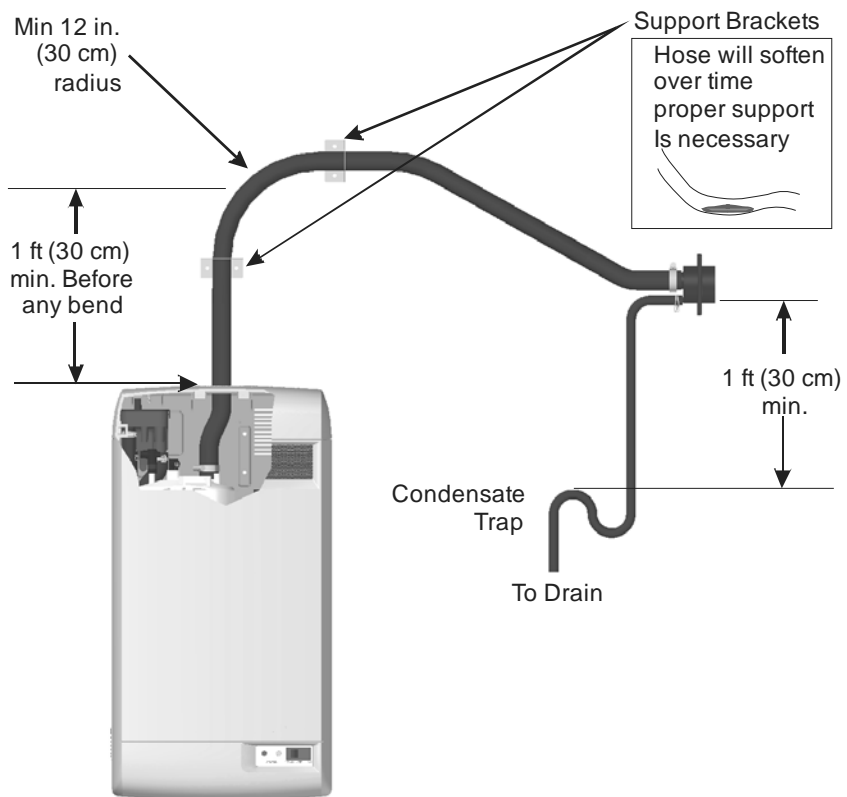
**Figure 8: RH2 Distributor Installation**



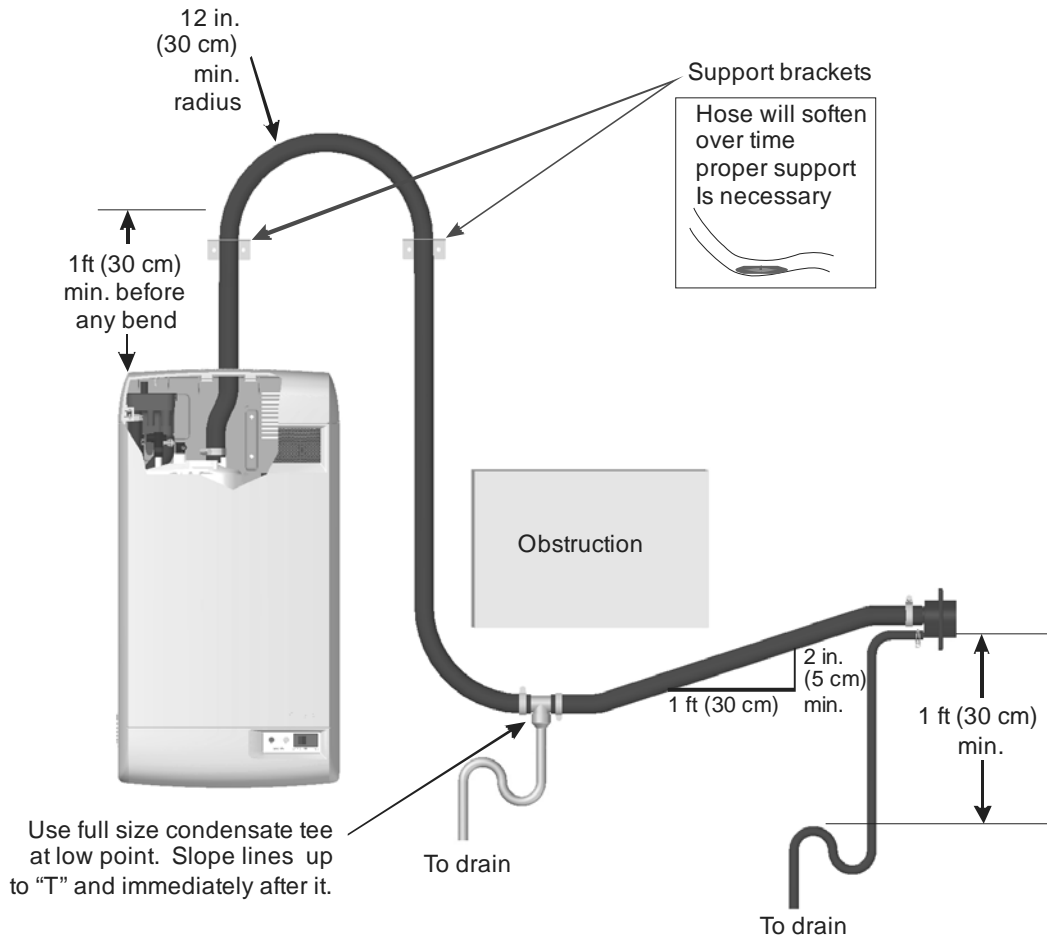
**Figure 9: RSD10 Distributor Installation**



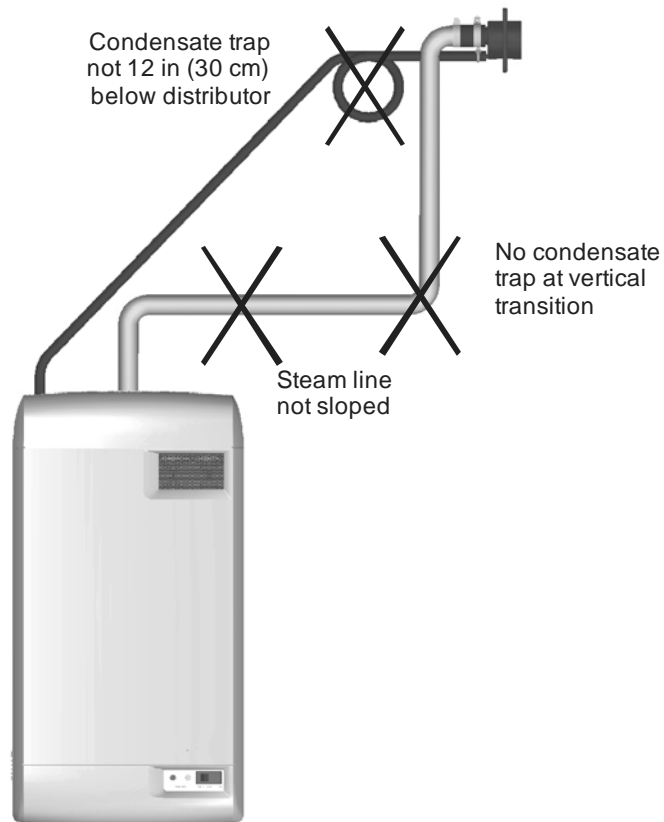
**Figure 10: Steam Distributor Above Humidifier (Hose)**



**Figure 11: Steam Distributor Below Humidifier (Hose)**



**Figure 12: Steam Distributor Below Humidifier With Obstruction (Hose)**

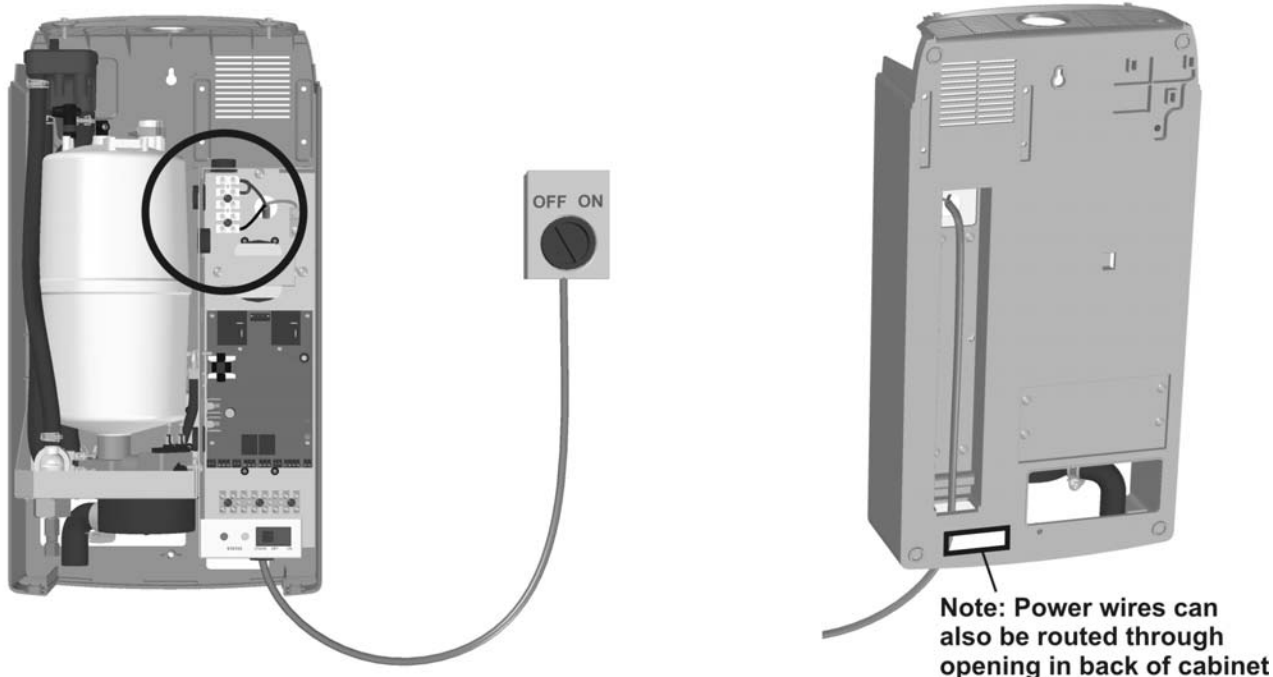


**Figure 13: Common Steam Line Errors**



# Electrical

**Caution:** Wiring to be performed by a licensed Electrician.

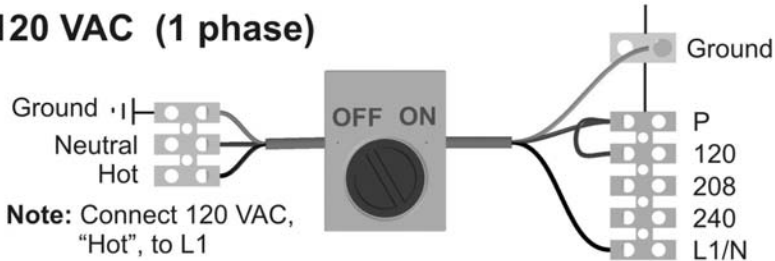


**Note:** Power wires can also be routed through opening in back of cabinet

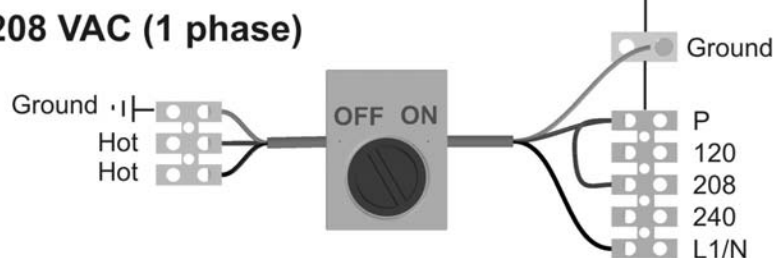
**Note:**

- 1 Install jumper between P and terminal that corresponds to supply voltage.
- 2 Dedicated external fused disconnect must be installed. Fusing must not exceed max circuit protection as indicated on the specification label.
- 3 Ensure that adequate power is available to carry full humidifier amp draw as indicated on the specification label.
- 4 Do not use neutral wire as a ground, connect to ground lug.
- 5 All Wiring to be in accordance with national and local electrical codes.

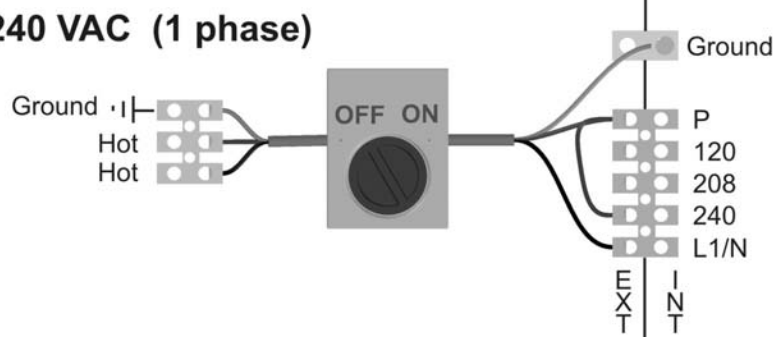
### 120 VAC (1 phase)



### 208 VAC (1 phase)



### 240 VAC (1 phase)



**Figure 14: Primary Power Connection**

## External Controls

### Control Wiring

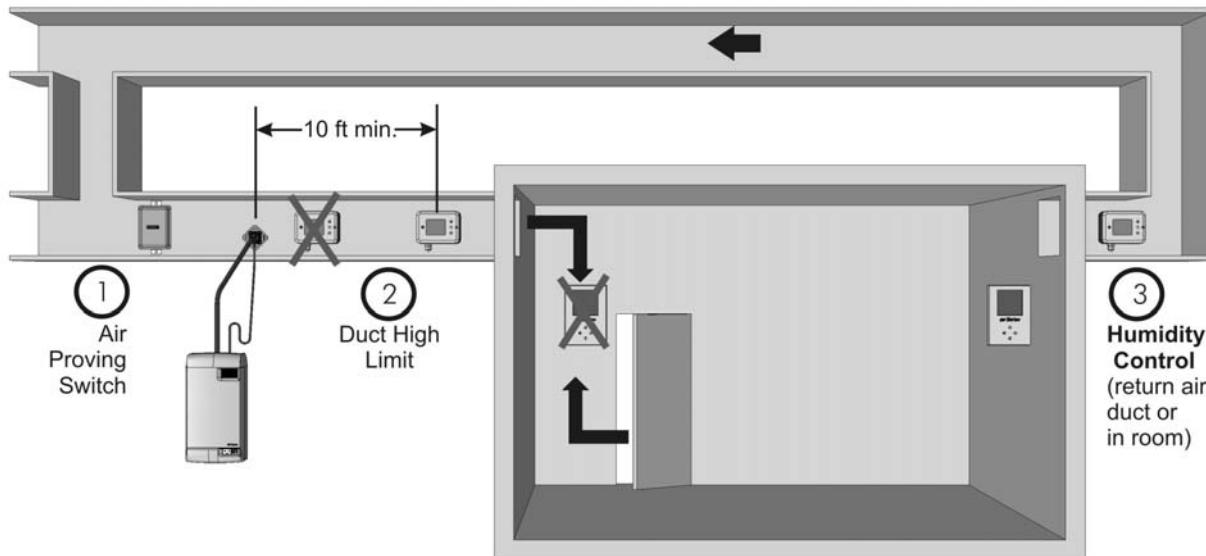
Controls are available from Nortec as accessories. If controls were not ordered with humidifier, they must be purchased or supplied by others. The following information is relevant to all controls, factory supplied or otherwise. For wiring use minimum 18 AWG and keep as short as possible.

The RH2 humidifier can be operated with either On/Off controls only or with On/Off controls and one modulating input. The modulating input can be from a duct high limit or humidity control humidistat. See Humidifier Configuration on page 36 to configure the RH2 for modulation.



**Caution:** Failure to wire the humidifier in accordance with the wiring instructions could cause permanent damage. Such errors will void the warranty.

### Control Location



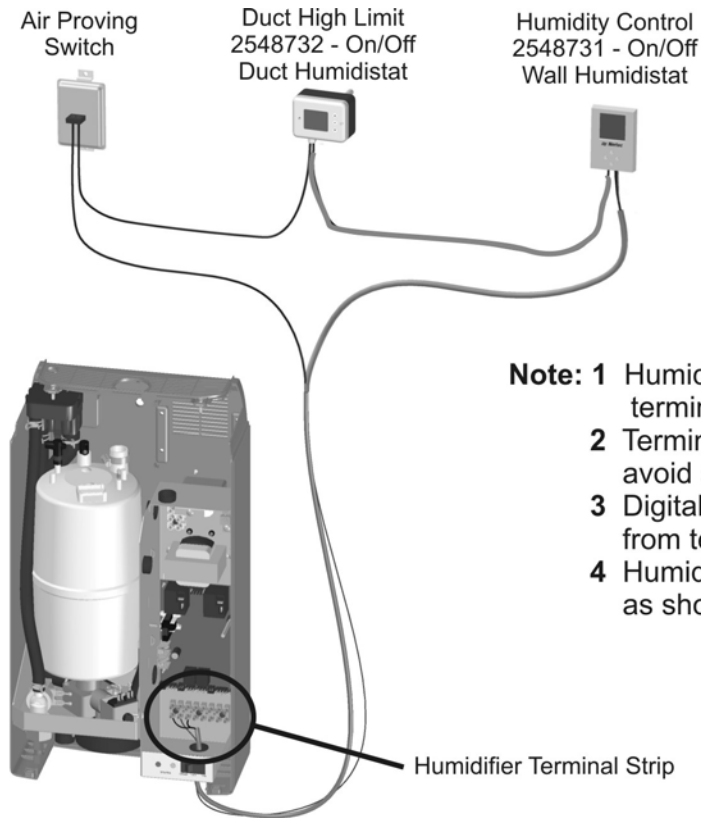
**Figure 15: Control Location**

- 1 Air Proving Switch**
  - Locate so that it can sense air flow or lack of it.
- 2 Duct High Limit – Can be modulating or On/Off humidistat.**
  - Locate at least 10 feet from steam distributor or far enough that under normal conditions steam is fully absorbed.
- 3 Humidity Control - Can be Modulating or On/Off humidistat**
  - Can be located either in return air duct (preferred) or in room being humidified.
  - Avoid placing near discharge diffuser of humidified air.
  - Mount in area representative of room humidity (draft, doorways, sunlight, or overhang such as a shelf can affect reading).



**Note:** Regardless of selecting on/off or modulating control method, Nortec humidifiers must have a closed circuit across its on/off security loop control terminal to operate. Nortec highly recommends the use of a high limit humidistat and an air proving switch in series for this function.

## On/Off Control Wiring



- Note: 1** Humidifier will run when circuit between terminal 1 and 2 on humidifier is closed.
- 2** Terminal 1 is 24VAC Hot, turn unit off to avoid shorting while wiring.
- 3** Digital Humidistats require 24 VAC power from terminals 1 and 3 of humidifier.
- 4** Humidity Control can be wall mounted as shown or return air duct mounted.

Figure 16: On/Off Controls

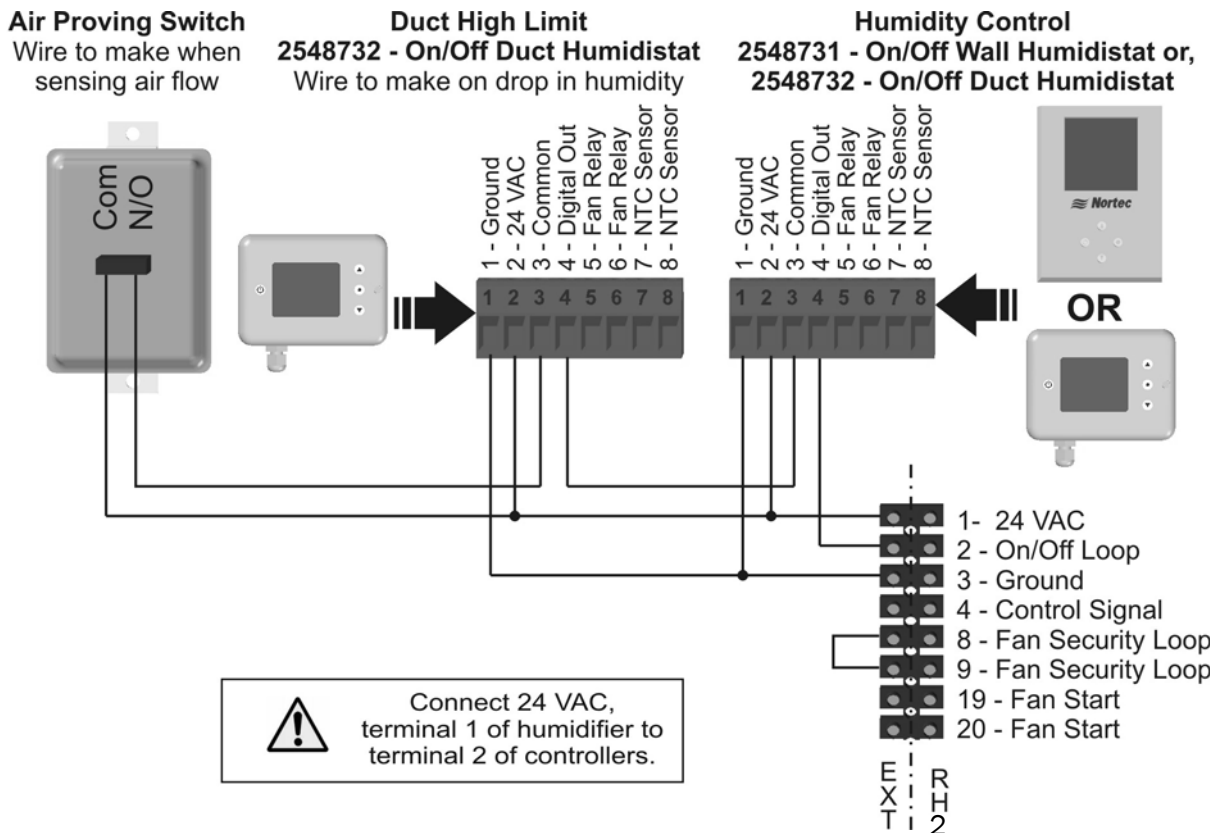
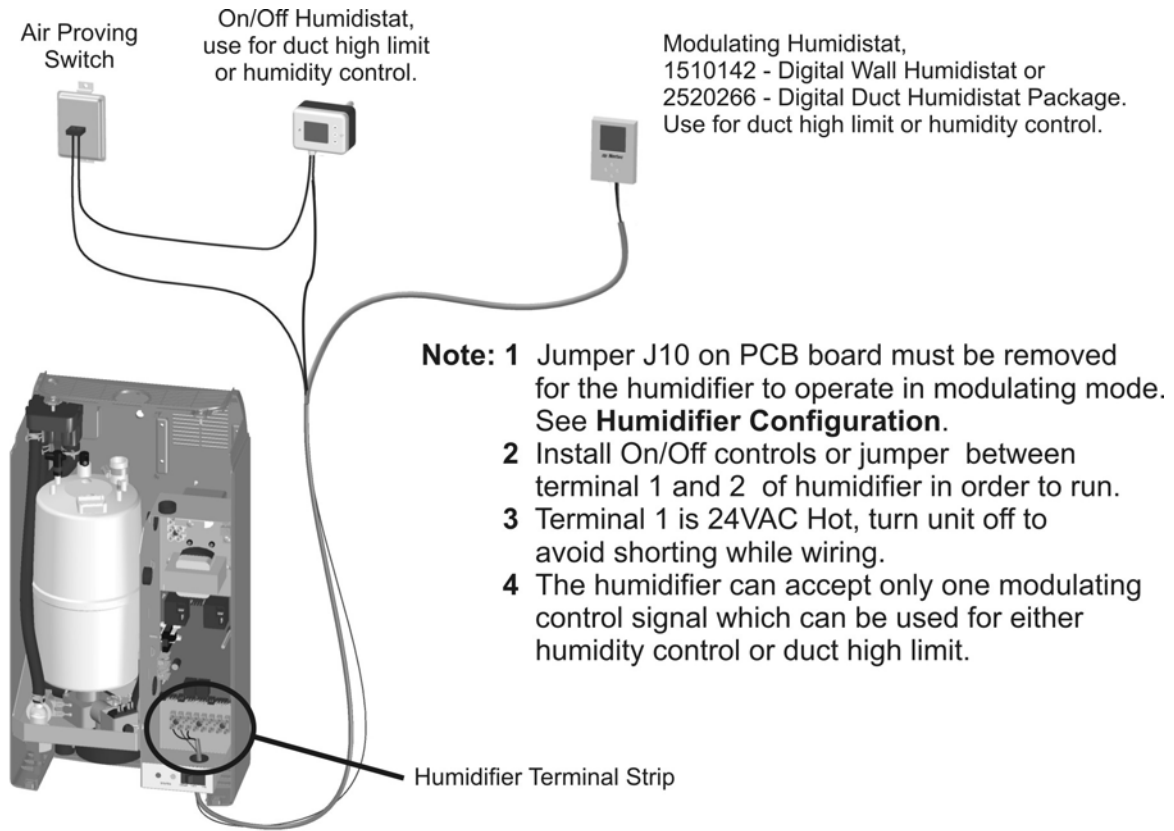


Figure 17: Digital On/Off Humidistat

## Modulating Control Wiring

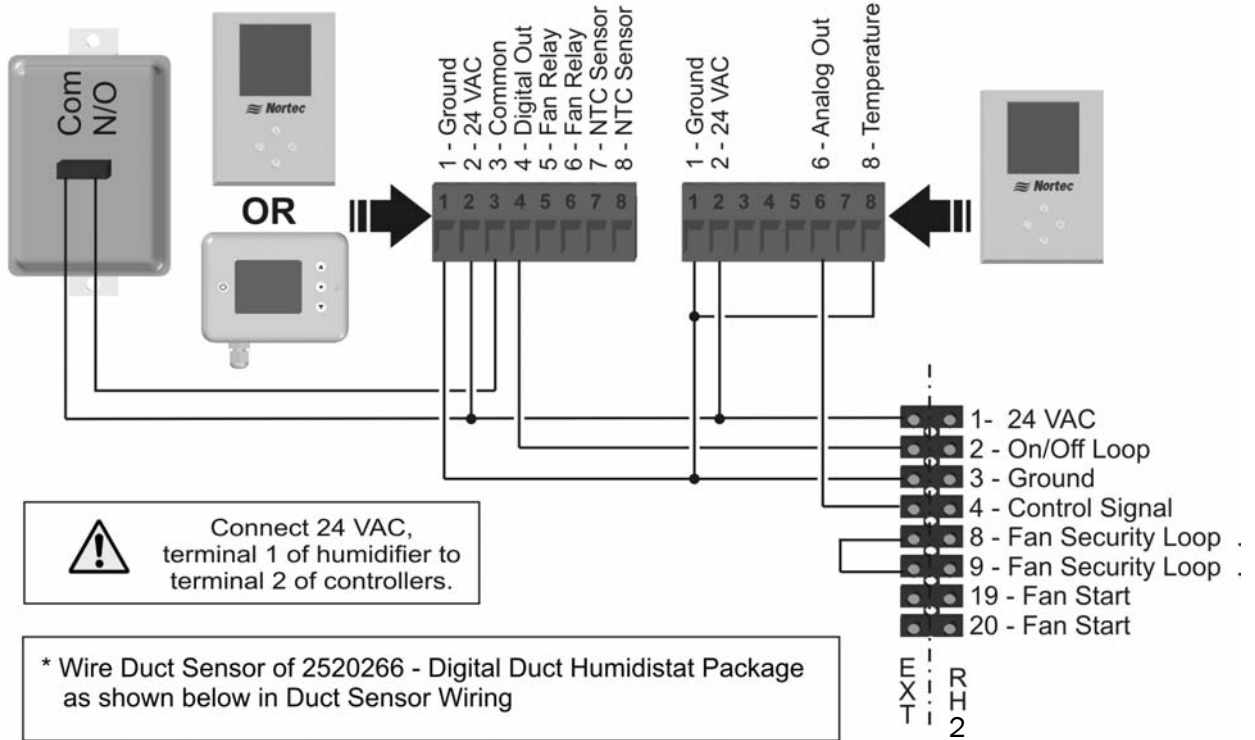


**Figure 18: Modulating Controls**

**Air Proving Switch**  
Wire to make when sensing air flow

**On/Off Humidistat**  
2548731 - On/Off Wall Humidistat or,  
2548732 - On/Off Duct Humidistat

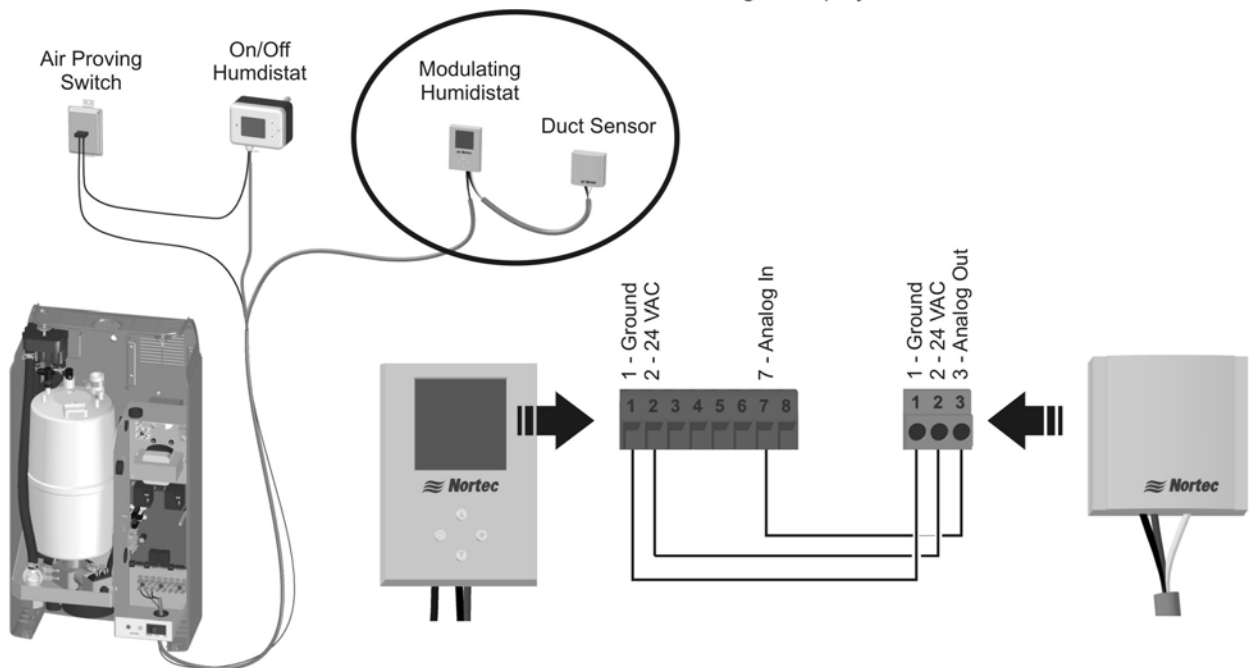
**Modulating Humidistat**  
1510142 - Digital Wall Humidistat or,  
2520266 - Digital Duct Humidistat Package\*



**Figure 19: Modulating Control Wiring**

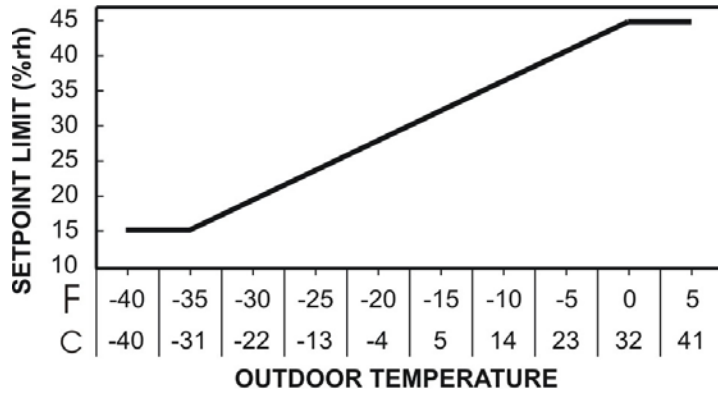
**2520266 - Digital Duct Humidistat Package**

Wire remote sensor to digital display as shown below,  
Wire digital display to humidifier as shown above.



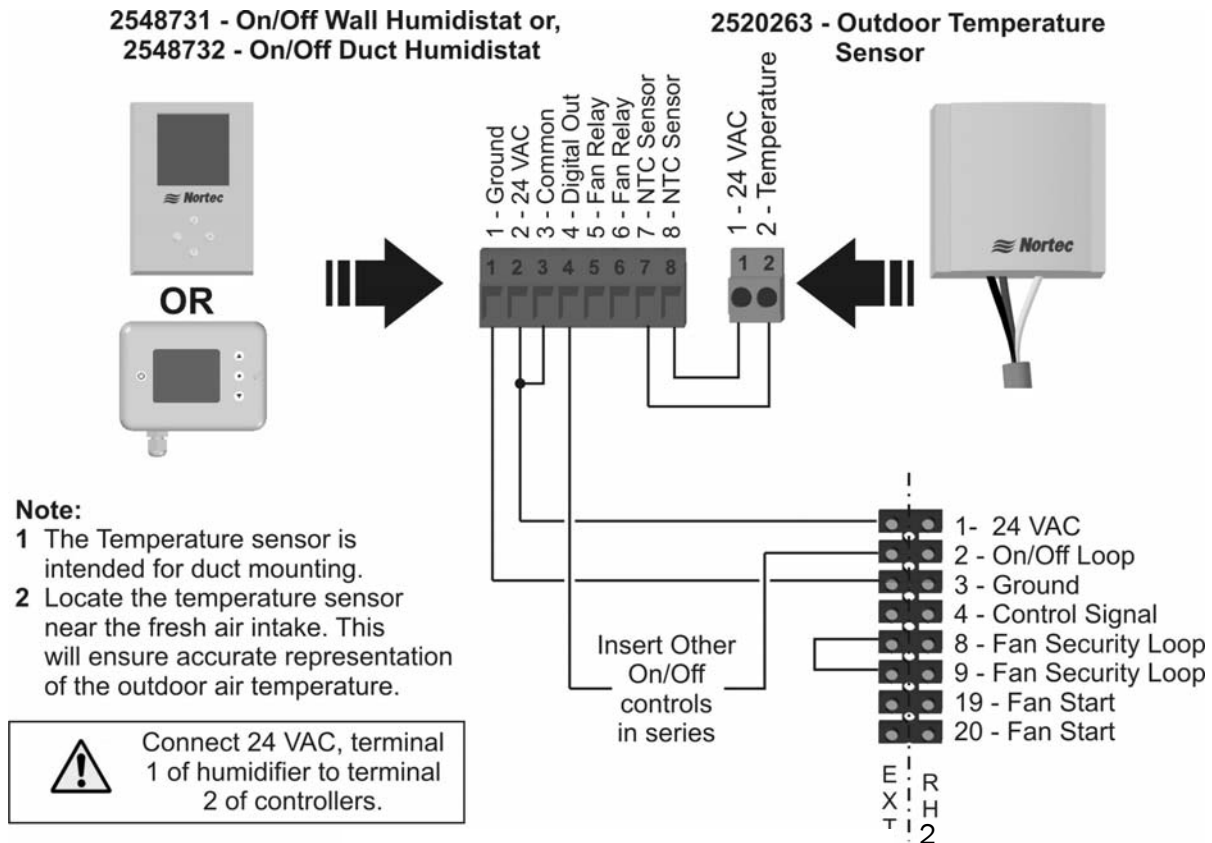
**Figure 20: Duct Sensor Wiring**

## Optional Outdoor Temperature Reset



**Figure 21: Outdoor Temperature Reset**

- Each Digital controller is equipped with an integrated reset function that can reduce the setpoint during cold weather operation. This will prevent condensation on windows and building structures. The above graph illustrates how the setpoint reset feature operates.
- This feature is enabled by removing the jumper from terminals 8 and 1 on the humidistat and wiring the outdoor temperature sensor to these terminals.
- When the outdoor temperature setback feature is in effect, the humidistat will normally display the calculated setpoint limit based on the outdoor air temperature. A snowflake will also be displayed to indicate cold weather operation. When any key on the controller is pressed, the LCD screen will display the customer specified setpoint for a short duration.



**Figure 22: Outdoor Temperature Sensor**

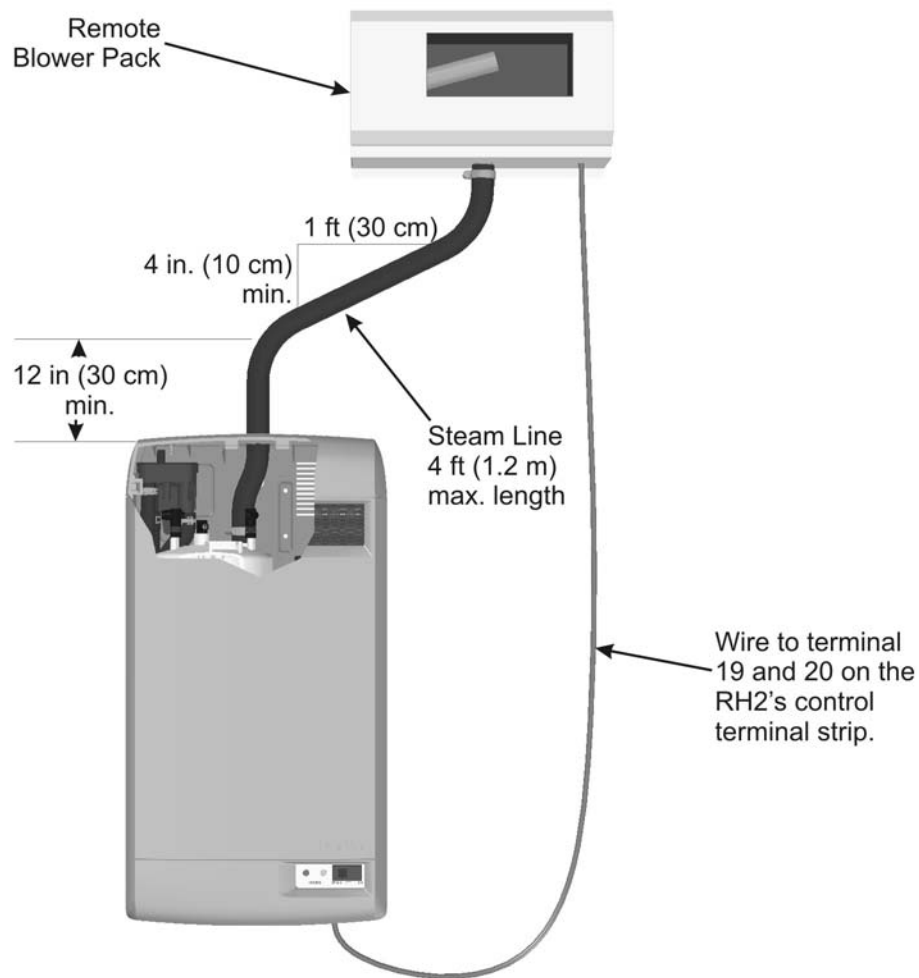
NOTE: Please refer to the Modulating Humidistat Installation Instructions for the Modulating Humidistat Wiring Diagram

## Options and Accessories

### Remote Blower Pack

A remote blower pack is available for the RH2 for applications where steam for humidification must be introduced directly into the space being humidified but the humidifier must be installed in a different location.

- For instructions on installing the remote blower pack refer to the installation instructions supplied with it.
- The steam line instructions in this manual are also applicable to remote mounted blower packs except the slope must be larger because the blower pack does not have a separate condensate line and the maximum allowable steam line length is 4 ft (1.2 m)



**Figure 23: Remote Mounted Blower Pack**

#### Note:

- The blower pack requires additional clearance see the instructions that came with it.
- The steam line slope for the blower pack is 4 in. / 1 ft (10 cm / 30 cm).



# Start Up

---

- 22 Installation Check**
- 23 RH2 User Interface**
- 23 On/Off or Modulating Operation**
- 24 Start Up Procedure**
- 25 Nortec Digital Controls**
  - 25 Modulating Control
  - 25 On/Off Control
- 26 RH2 Pre-Start Up Checklist**



## Installation Check

Before turning on power to the RH2 inspect the installation to insure that it was carried out correctly. Refer to, to RH2 Pre-Start Up Checklist on page 26, and to the chapter on installation.

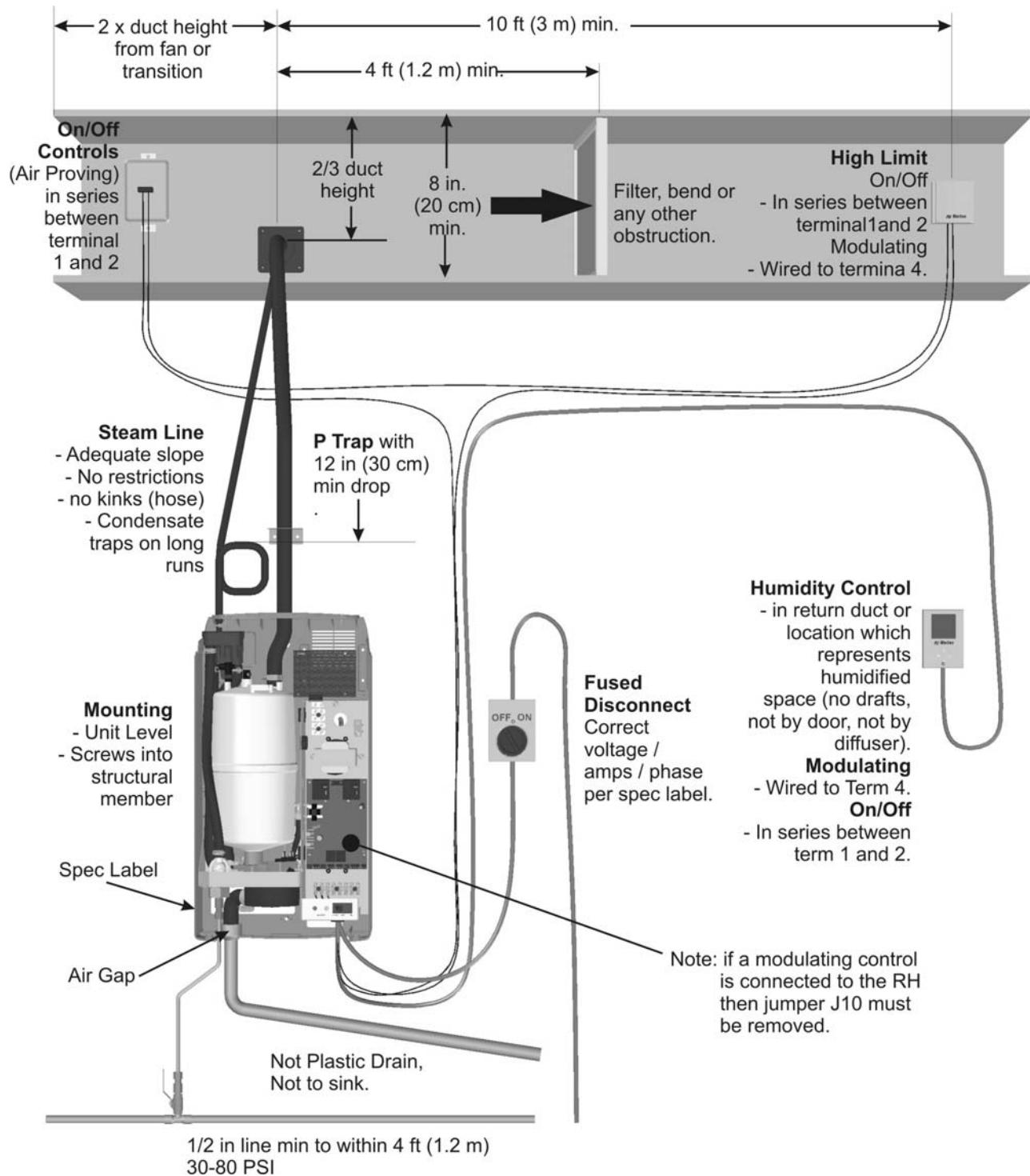
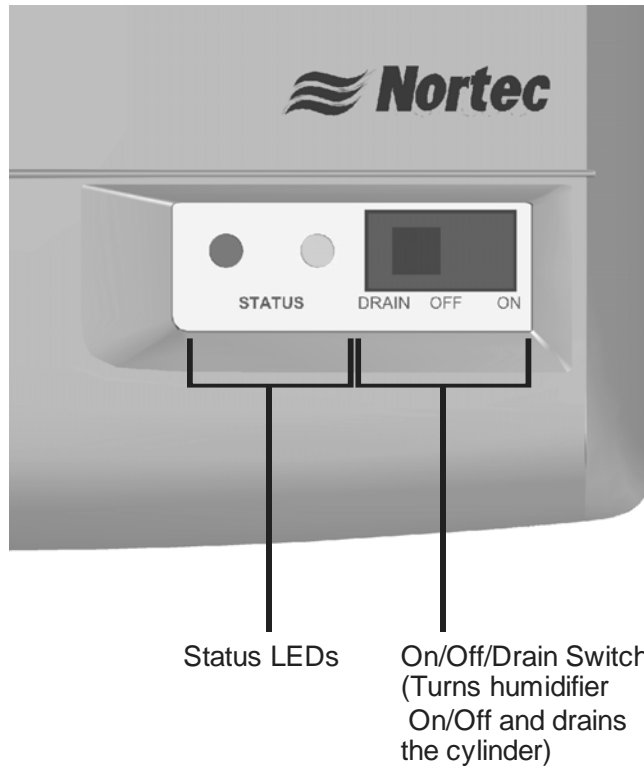


Figure 23: Installation Check

## RH2 User Interface

The RH2 has a simple to use user interface that includes two status LEDs that provide information on current humidifier status. The On/Off/Drain switch can be used to turn the humidifier On/Off and drain it for servicing or replacing the cylinder. See Figure 26: LED Status Lights on page 30 for information on the LEDs.



**Figure 24: RH2 User Interface**



**Caution:** Do not leave the On/Off/Drain switch in the drain position for extended periods of time. The drain valve solenoid may heat up and result in damage to the valve and its wiring.

## On/Off or Modulating Operation

From the factory the RH2 is configured to operate as an On/Off humidifier. It will run when 24 VAC from terminal 1 is fed back into terminal 2 through an On/Off humidistat and other security devices in series. See On/Off or Modulating Control (J10) on page 37 for instructions on configuring the RH2 to operate as a modulating humidifier.

## Start Up Procedure

- 1 Examine the humidifier and installation for damage and or improper installation.
- 2 Ensure that the front cover is in place and secured with its retaining screws.
- 3 Open the supply water shut off valve.
- 4 Turn on the mains power using the installed disconnect.

**Warning:** Damaged Units or improperly installed units must not be operated. Damaged or improperly installed units may present a danger to persons and property.



- 5 Turn the On/Off switch on the front of the humidifier to On.

The humidifier will perform a self-diagnostic sequence during which the LED's and internal components will be momentarily activated.

If an error is detected during the self-diagnostic sequence the humidifier will not start. The yellow status LED will flash in sequence to indicate the detected fault. See RH2 Faults on page 49 for information on diagnosing and correcting faults.

After the system test the humidifier is in normal operation mode.

- 6 Check and adjust the control setpoint on the control and high limit humidistat.
- 7 When the external humidistat generates a demand for humidity and the security loop is closed the green humidifying LED on the front of the humidifier will light up, the power relay on the control board will engage, the fill valve will activate (after a delay) and the cylinder will slowly fill with water.

**Note:** While the cylinder is filling with water there should be no water flowing down the drain. If water is flowing down the drain it can indicate excessive backpressure or a leaking drain valve. See chapter on troubleshooting starting on page 45.

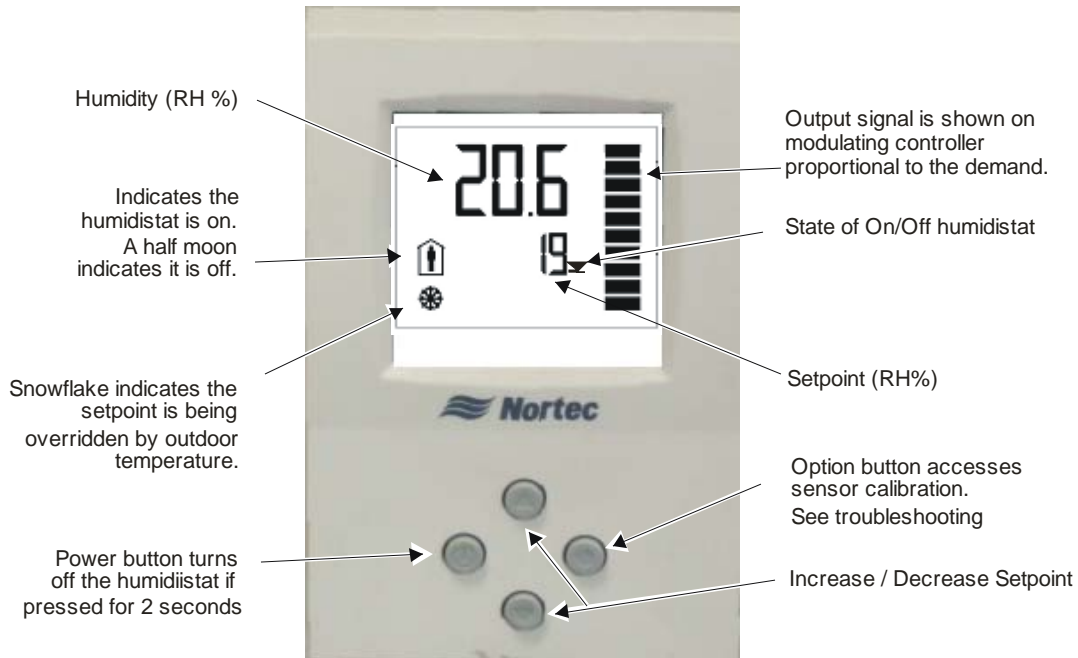
- 8 It can take 5 – 10 minutes for the water to be heated up by the submerged electrodes and for steam to be produced.

**Note:** If operated on low conductivity water it may take several hours for the RH2 to reach full output capacity. This is normal. During this time the humidifier will not perform any drains and the conductivity of the water in the cylinder will increase.



# Nortec Digital Controls

Nortec provides optional On/Off and Modulating digital controls. Figure 25 show the function and meaning of the Digital Control's display and buttons. All controls are available either wall mounted or with a remote sensor for duct mounting.



**Figure 25: Modulating and On/Off Digital Control Operation**

## Modulating Control

The modulating controls use a PI control algorithm to transmit a 0-10V control signal to the humidifier. Adjust the setpoint to the desired setting by using the up/down arrow buttons on the controller.

## On/Off Control

The On/Off controls use a PI control algorithm to open and close a relay that opens and closes the humidifier's On/Off loop. Adjust the setpoint to the desired setting by using the up/down arrow buttons on the controller.

**Note:** It is possible to field calibrate Nortec digital controls if the displayed humidity is found to be different than a known trusted source. See chapter on Troubleshooting starting on page 45.

## RH2 Pre-Start Up Checklist

Unit Serial #: \_\_\_\_\_ No. of humidifiers: \_\_\_\_\_ Tag: \_\_\_\_\_

Unit type: \_\_\_\_\_ Voltage: \_\_\_\_\_V/\_\_\_\_\_ph

Cylinder type: \_\_\_\_\_ Customer/Job: \_\_\_\_\_ Address: \_\_\_\_\_

### WATER QUALITY:

Well water  City water  Softened water

### HUMIDIFIER MOUNTING: (Clearances around the unit Acceptable Obstruction)

- Level \_\_\_\_\_ Front Clearance 36 in.

### STEAM LINE(S):

- Material  Diameter / Size
- Slope up (min 2 in/ft)  Slope down (min 0.500 in/ft)
- Low point condensate traps  No hose kinks / Restrictions
- Type of Insulation \_\_\_\_\_

### CONDENSATE LINE(S):

- P Trap min 6 in or duct press + 2in  P Trap min 12 in drop

### WATER LINE:

- 1/2 in to within 4ft of unit  Water pressure: 30-80 psig

### DRAIN LINE:

- Air gap within 3 ft of the unit  Diameter / Size

### CYLINDER:

- Seated in drain valve and secured yes  no

### WIRING:

- Wiring connections and connectors secured yes  no

### CONTROLS:

- On / Off / Security loop devices working correctly yes  no

- Jumper J10 set to

Modulating (removed)

Or

On/Off (installed)

- Control Location \_\_\_\_\_
- High Limit Location \_\_\_\_\_

### POWER:

- Voltage, amp, fuse per Spec Label: yes  no

- Disconnect switch located close to humidifier yes  no

- Panel Number \_\_\_\_\_

Inspected by: \_\_\_\_\_ Date of inspection: \_\_\_\_/\_\_\_\_/\_\_\_\_

Company: \_\_\_\_\_

# RH2 Start Up Checklist

Unit Serial #: \_\_\_\_\_ No. of humidifiers: \_\_\_\_\_ Tag: \_\_\_\_\_  
Unit type: \_\_\_\_\_ Voltage: \_\_\_\_\_V/\_\_\_\_\_ph  
Cylinder Type: \_\_\_\_\_ Customer/Job: \_\_\_\_\_ Address: \_\_\_\_\_

### PRELIMINARY:

- Pre-start-up checklist completed? yes  no   
If no, perform Pre-Start-up Checklist before starting humidifier.

### START-UP PROCEDURE:

The prerequisites for the humidifier filling and contactor pulling in to make steam are as follows:

- Front cover in place and secured with screws yes  no
- Water supply valve opened yes  no
- Mains disconnect switched on yes  no
- Turn On/Off switch on yes  no
- On/Off security loop (Terminal 1 and 2) closed. yes  no
- Fan security (Terminal 8 and 9) closed yes  no

### CONTROLS:

- Installed controls match configuration yes  no
- Control Setpoint: \_\_\_\_\_ High Limit Setpoint: \_\_\_\_\_
- > 3 VDC on terminal 4 (Modulating Humidistat) yes  no   
or
- Terminal 1 and 2 closed (On/Off Humidistat) yes  no

The Humidifier will undergo a self-test when the power is turned on activating the LED's and other internal components.

If the above listed prerequisites are fulfilled the humidifier will start filling the cylinder and begin normal operation.

**Note:** Most water does not contain enough conductivity for full boil on initial start-up. Units will need to concentrate the water over a time period (hours to days).

### REMARKS:

---

---

---

---

Started by: \_\_\_\_\_ Date of Start Up: \_\_\_\_\_/\_\_\_\_\_/\_\_\_\_\_

Company: \_\_\_\_\_



# Operation

---

- 30 LED Status Lights**
- 30 Selecting an RH2 Setpoint**
- 31 Humidifier Components**
- 32 Description of Components**
- 33 Humidifier Schematic**
- 34 How the Humidifier Works**
  - 34 Steam Generation
  - 34 Drains
  - 34 Steam Distribution
  - 35 Steam Line
  - 35 Condensate Return
- 36 Humidifier Configuration**



## LED Status Lights

The RH2 user interface includes 2 LED's which provide information about the humidifier's current status.

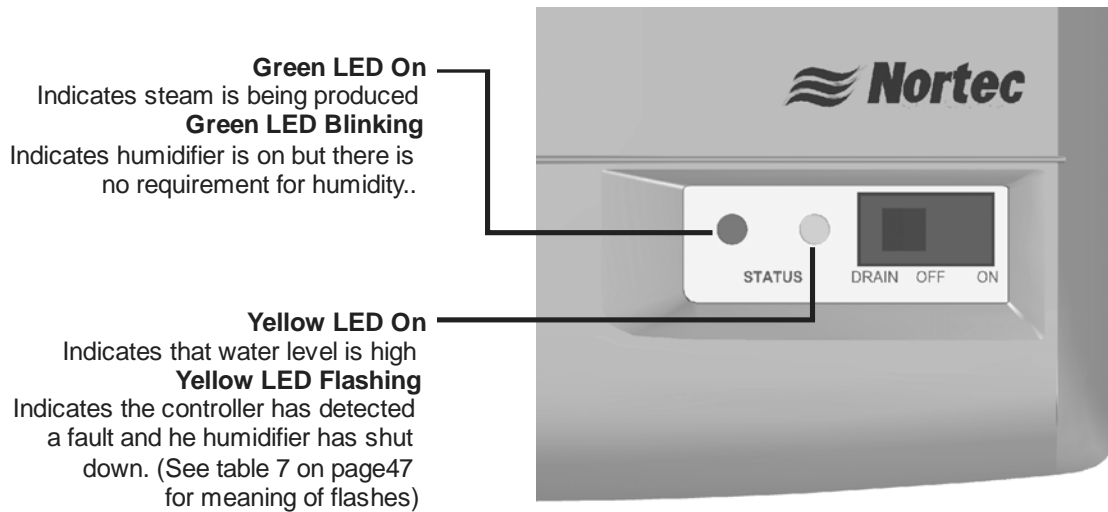


Figure 26: LED Status Lights

### **Yellow LED Steady On**

When the yellow LED is steady on (not flashing) it indicates that the high water sensor has interrupted filling of the cylinder. The LED is on for information only and unless it persists for an extended period of time it does not require any action.



## Selecting an RH2 Setpoint

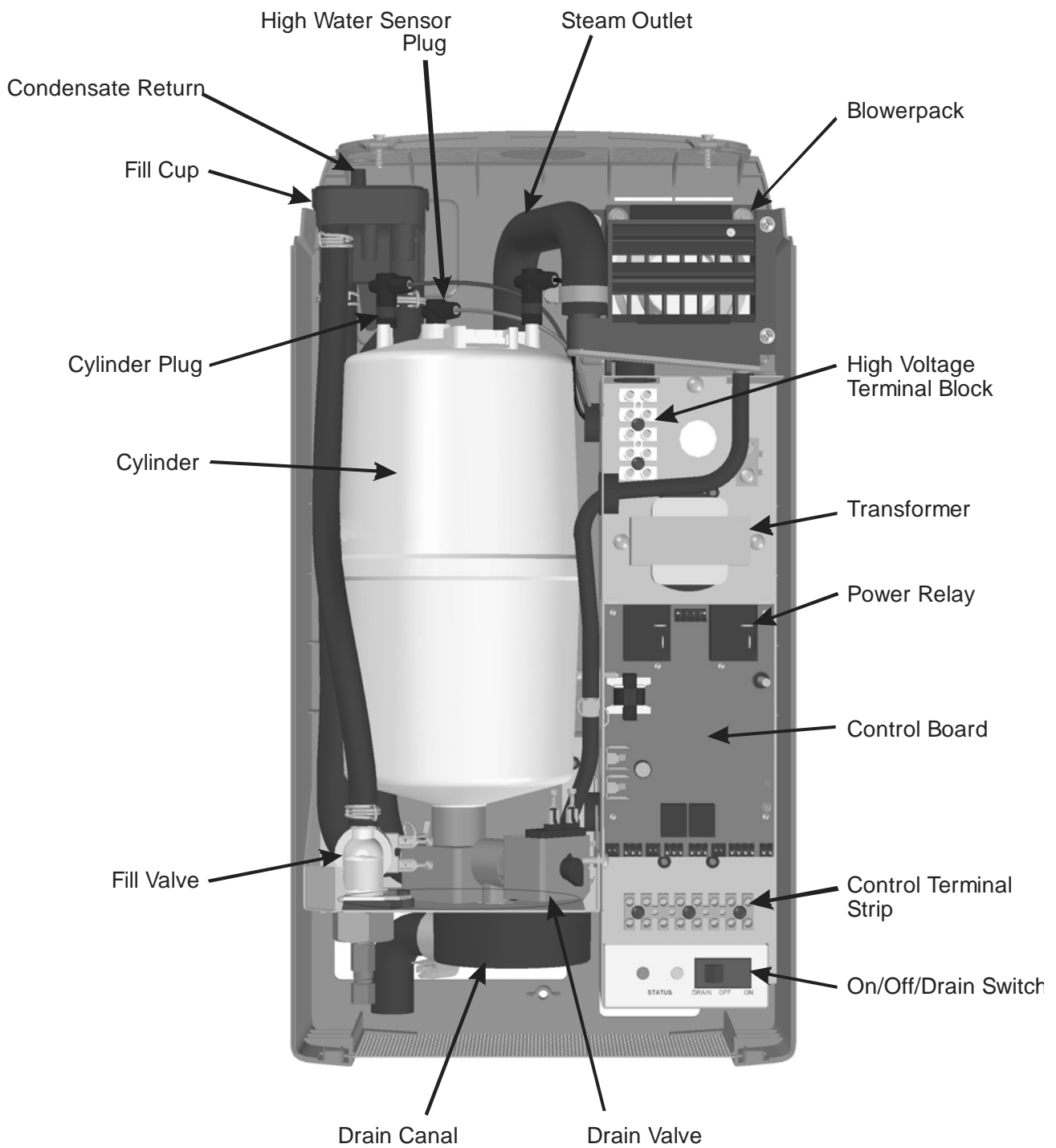
The optimum humidity setpoint depends on the reasons that a space is being humidified. The “ASHRAE Handbook. HVAC Applications” recommends specific design relative humidities for specific applications. See also Nortec publication “When You Need Humidity” (Form 124A) for more information on humidity settings.

**Health and Comfort** - The benefit of humidity is most pronounced for health and comfort in the 40-60% range. A humidity setting of 45-50% is recommended for this purpose to prevent over humidifying.

**Temperature Setback** - In cold climates it is often necessary to reduce the humidity level in a space to prevent build up of condensation on the inside of exterior walls, windows, and trim. It is highly recommended that the temperature setback function of the Nortec Digital controls be used under these conditions to prevent damage from condensation. The digital control with an outdoor temperature sensor installed will automatically setback the humidity setpoint to correspond with outdoor temperature.

**Duct High Limit** – The duct high limit is intended to prevent saturation and wetting in duct work at high load conditions. Nortec recommends a setting of 85% for the duct high limit. It may be necessary to reduce this setting if the duct work is very cold or in contact with exterior cold surfaces.

# Humidifier Components



**Figure 27: RH2 Humidifier Components**

## Description of Components

**Table 5: Humidifier Components**

<b>Component</b>	<b>Function of Component</b>
<b>Blowerpack</b>	Disperses steam generated by the humidifier directly into a space being humidified. Consists of a steam distributor, fan, power supply, and mounting bracket.
<b>Condensate Return</b>	Provides a connection to return condensate to humidifier.
<b>Control Terminal Strip</b>	Terminal strip for connecting external controls to humidifier and interfacing with other equipment.
<b>Cylinder Plug</b>	Power connectors to electrodes in cylinder.
<b>Cylinder</b>	Holds electrodes in water. Current between electrodes generates heat used to generate steam.
<b>Drain Canal</b>	Combines cylinder drain water and fill cup overflow into a single drain outlet.
<b>Drain Valve</b>	Drains water from humidifier.
<b>Control Board</b>	Controls all functions of the humidifier's operation and provides input and output connections to humidifier components.
<b>Fill Cup</b>	Provides an air gap for backflow prevention.
<b>Fill Valve</b>	Controls flow of water into humidifier.
<b>High Voltage Terminal Block</b>	Primary power connection from remote disconnect to humidifier.
<b>High Water sensor Plug</b>	Used to detect max water level in cylinder.
<b>On/Off/Drain Switch</b>	Turns power on/off to humidifier controller and drains the cylinder for servicing. Note: Turn off humidifier disconnect to shut off primary power to the humidifier.
<b>Power Relay</b>	Turns on/off power to cylinder electrodes based on a signal from the humidifier's controller (mounted on control board).
<b>Steam Outlet:</b>	Connect to steam line with steam hose (shown with steam hose to blower pack).
<b>Transformer:</b>	Steps primary voltage down to 24 VAC for the controller and internal components such as the fill valve and drain valve.

# Humidifier Schematic

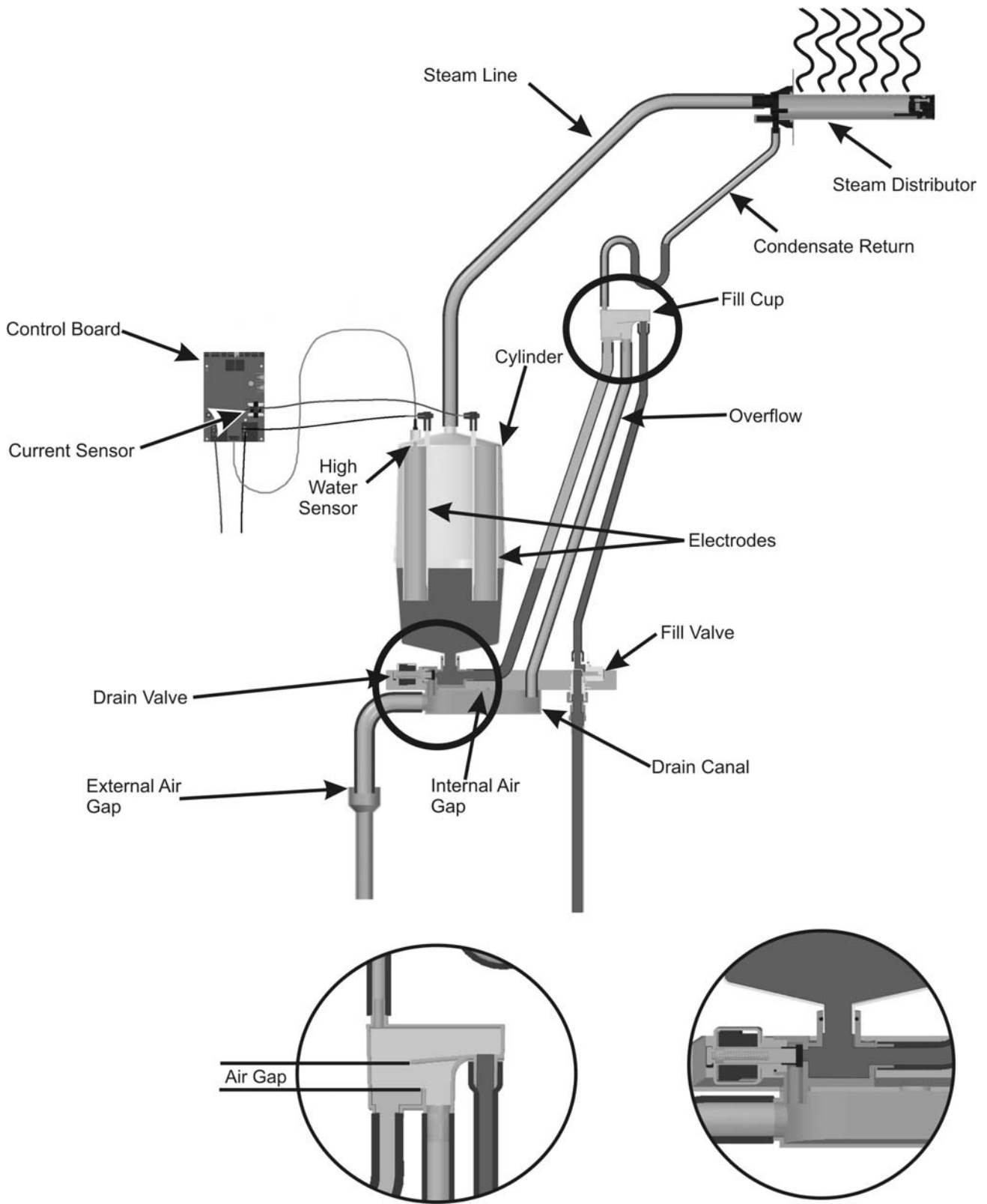


Figure 28: Humidifier Schematic

## How the Humidifier Works

The RH2 is an atmospheric steam generator that uses heat generated by electrical current flowing between submerged electrodes to generate heat and steam. The RH2 is designed for air humidification via steam distributor or blower pack.

### Steam Generation

- Once the unit receives a demand signal and the safety loop between terminal 1 and 2 is closed the humidifier closes the contactor and measures the current.
- If the demand is lower than the actual output the inlet valve is kept closed and output is reduced by letting the water level in the cylinder decrease by evaporation.
- If demand is higher than the actual output after a brief delay the fill valve is activated and water flows into the fill cup. Water from the fill cup flows into the bottom of the cylinder through a hose connected to the drain valve housing.

**Note:** The cylinder is gravity fed from the fill cup. If backpressure from the steam line is too high it will cause water to back up in the fill cup and flow down the overflow line to the drain.

- As soon as the water in the cylinder comes in contact with the energized electrodes current flows through the water. The resistance of the water to the electrical current generates heat and in turn steam. The more electrode is covered by water the higher is the current and output. The unit continues to fill until the current matches demand or the high water sensor detects a high water level.
- The RH2 repeats the fill and boil down cycle repeatedly to match output to demand.
- Over time minerals in the water will adhere to the cylinder's electrodes. The humidifier will automatically fill to a higher water level to maintain full capacity during the life of the cylinder. Eventually because of scale formation it will no longer be possible for the humidifier to reach its full capacity. The RH2's software monitors this condition and when detected will stop operating and flash the yellow LED in a repeating sequence of 4 flashes.

### Drains

- As steam is produced minerals are left behind increasing the conductivity of the water. The RH2's patented auto adaptive cycle will monitor the water conductivity and perform drains to maintain the water at optimal conductivity for peak performance.
- The auto adaptive cycle provides the longest cylinder life in combination with keeping the tightest control and most efficient use of water during the entire cylinder life.

### Steam Distribution

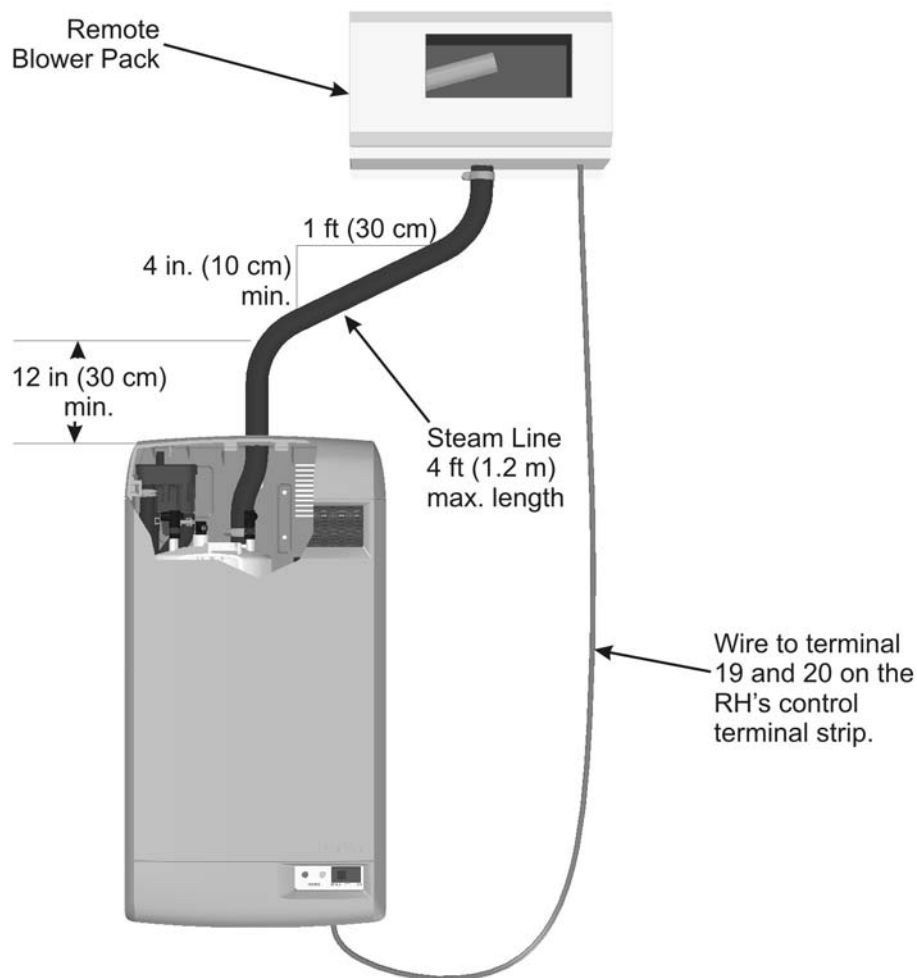
Steam generated by the humidifier may be introduced into the air in several different ways. The most common method for adding the steam into the air is to mount a steam distributor tube in a supply air duct as shown in Figure 35: Humidifier Schematic. For introducing steam directly into a room humidifier built in or remote mounted blower packs are used see Figure 29: Remote Blower Pack.

## Steam Line

The steam line between the cylinder steam outlet and the distributor may be Nortec steam hose, copper pipe, or stainless steel pipe or tube. The RH2 is an atmospheric steam generator so it is very important no restrictions are present in the steam line and that the steam line is sized properly to carry the full output capacity of the humidifier. See Steam Lines and Condensate Returns on page 10 for information on selecting steam lines.

## Condensate Return

Whenever steam is distributed condensate is formed in the distribution system and steam distributor, manifold, or blower pack. Insulating steam lines is one important way to reduce the amount of condensate formed. Steam lines are sloped so that condensate does not collect in the lines and create a restriction to steam flow. The condensate must be collected and removed from the system so that it does not build up and leak into the duct (or room if blower pack is used). Condensate can be returned to the RH2 fill cup to reduce water waste or can be fed to drain.



**Figure 29: Remote Blower Pack**

## Humidifier Configuration

The RH2 is factory configured to operate under most conditions without the need for any changes to its configuration. If required several settings can be made using jumpers on the RH2's control board. The output of the RH2 can also be reduced by using a potentiometer on the RH2's control board. See Figure 30: RH2 Control Board Jumpers for location of jumpers and the capacity adjustment potentiometer.

**Note:** Nortec recommends not making any configuration changes unless they are required and that any changes to the RH2's settings be performed by a qualified technician.

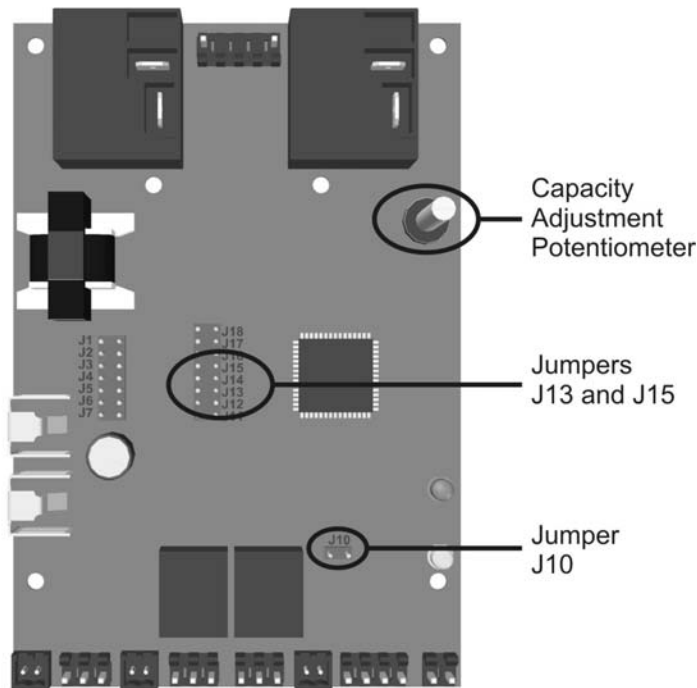


Figure 30: RH2 Control Board Jumpers

**Caution:** Never adjust jumpers other than those listed in this section. Other jumpers are factory set and must not be changed.



## Capacity Adjustment

The Capacity adjustment potentiometer can be accessed through the clearance hole in the cover of the electrical compartment. It can adjust the capacity of the humidifier between 100% and 30% of its rated output. (Factory setting = 100% output).

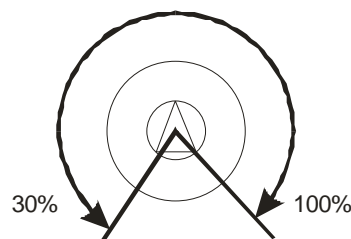


Figure 31: Capacity Potentiometer Adjustment

## On/Off or Modulating Control (J10)

The RH2's output can be controlled by either an On/Off humidistat or a modulating humidistat. To set the RH2 to operate with a modulating humidistat remove Jumper J10. (Factory setting = jumper Installed , On/Off operation)

**J10 Removed**– Modulating operation, the controller monitors the demand signal on terminal point 4 of the control terminal strip and adjusts humidifier output to match it.

**J10 Installed** - The RH2 is configured for On/Off operation. The controller will ignore any modulating signals even if they are connected.

## Modulation Offset (J13)

The RH2 controller can be configured to work with a modulating humidistat with 4-20 mA or 2-10 VDC output. Modulation offset can be configured with jumper 13. (Factory setting = Jumper Removed, 0-10 VDC or 0-20 mA control signal)

**J13 Removed** – Controller is configured for a 0-10 VDC or 0-20 mA control signal.

**J13 Installed** – Controller is configured for a 2-10 VDC or 4-20 mA control signal.

**Note:** For mA control a 500Ω register is required between terminals 3 and 4 on the low voltage control terminal.

**Table 6: Control Jumper Configuration**

Resulting Control	J10	J13
On/Off	Installed	No Affect
Modulating 0-10 VDC or 0-20 mA	Removed	Removed
Modulating 2-10 VDC or 4-20 mA	Removed	Installed

## Ground Fault Interrupt (GFI) (J15)

Ground current leakage can occur when the humidifier performs drains. With jumper J15 the RH2 can be configured to turn off the power to the electrodes whenever a drain takes place.

**J15 Removed** – The power relay is on during drains to control cylinder water concentration.

**J15 Installed** – The power relay is turned off during drains to control cylinder water concentration.



# Maintenance and Servicing

---

## **39 Required Maintenance**

- 39 Cylinder Spent Fault
- 39 Replacement Cylinder
- 40 Removing the Cylinder
- 41 Drain Valve Cleaning
- 42 Installing the New Cylinder

## **43 Extended Shutdown**

- 43 Starting After Extended Shutdown

## **44 RH2 Maintenance Checklist**

## Required Maintenance

The RH2 humidifier has been designed to require very little maintenance. Regular maintenance consists of checking the humidifier to insure it is in good condition, replacing the cylinder when the software advises that the cylinder is spent and cleaning out the drain valve whenever the cylinder is replaced.

### Cylinder Spent Fault

When the cylinder is spent the RH2 will stop operating and the yellow LED will flash in a repeating pattern of 4 flashes. See Table 8: Troubleshooting RH2 Faults on page 49 for more information on other flash sequences. At this time the cylinder must be replaced.

The steam cylinder is disposable and must be replaced at end of cylinder life. Cylinder life is dependent on water supply conditions and humidifier usage.



**Caution:** Failure to replace the cylinder at the end of cylinder life will result in improper operation and may result in damage to the humidifier. Nortec is not responsible for any damages resulting from, or attributed to, the failure to replace a spent cylinder (see Manufacturer's Warranty).



**Note:** Nortec recommends keeping a replacement cylinder in stock throughout the humidification season. This will prevent possible downtime when the humidifier reports cylinder end of life.

### Replacement Cylinder

The label on the existing cylinder identifies the cylinder type in its top left corner. When ordering a cylinder always quote the three or five digit model number on the label, the humidifier's serial number and the humidifiers voltage. Serial number and voltage are located on the specification label on the left side of the humidifier.

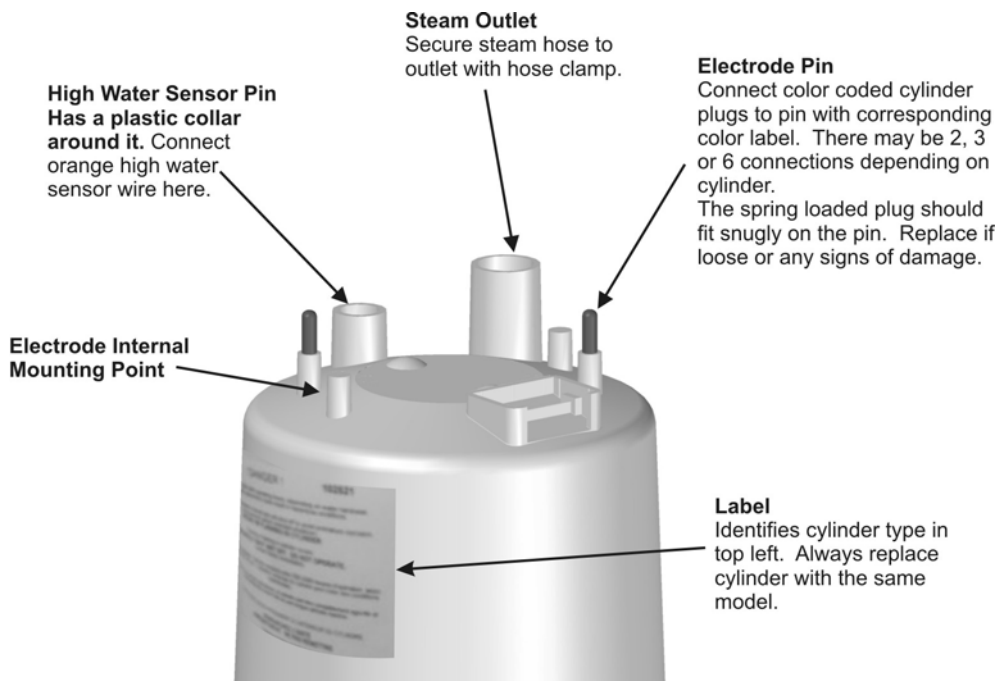


Figure 32: RH2 Cylinder

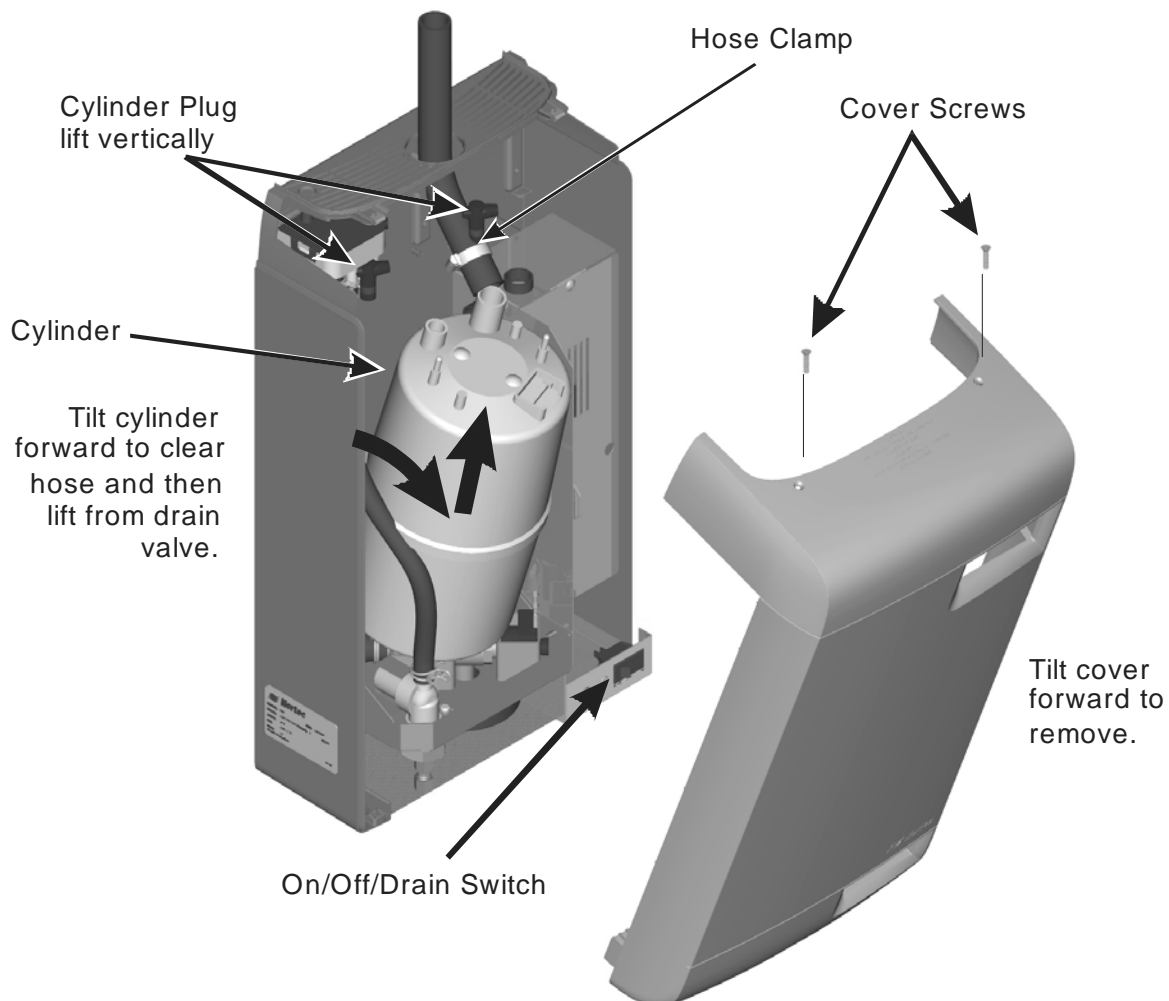
## Removing the Cylinder

### Warning

- Disconnect main power at the external disconnect before any servicing.
- The inside of the humidifier's cabinet contains high voltage components and wiring. Access should be limited to authorized personnel.



- 1** Drain the existing cylinder by switching the On/Off/Drain switch to the Drain position. Let the humidifier drain until no more water is flowing out to drain (usually not more than 10 minutes).
- 2** Turn the humidifier On/Off/Drain switch to off.
- 3** Close supply water shut off valve.
- 4** Turn off power to the humidifier with the external disconnect.
- 5** Remove the two screws securing the front cover.
- 6** Remove the cylinder plugs from the cylinder pins by pulling vertically.
- 7** Using a flat screwdriver loosen the hose clamp where the hose is connected to the cylinder.
- 8** Tip the top of the cylinder forward to pivot it out of the steam hose. When free of steam hose lift the cylinder out.



**Figure 33: Cylinder Removal**

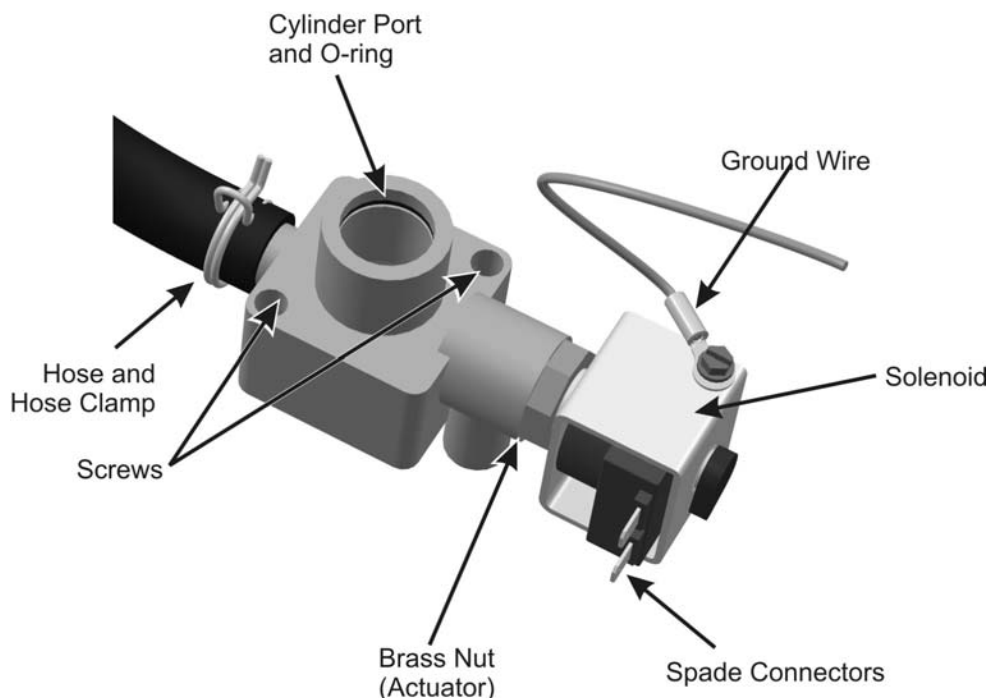
## Drain Valve Cleaning

Always clean the drain valve before installing a new cylinder. Scale from the spent cylinder may have fallen into the drain valve and could prevent its proper operation. To properly clean the drain valve it must be removed and disassembled.

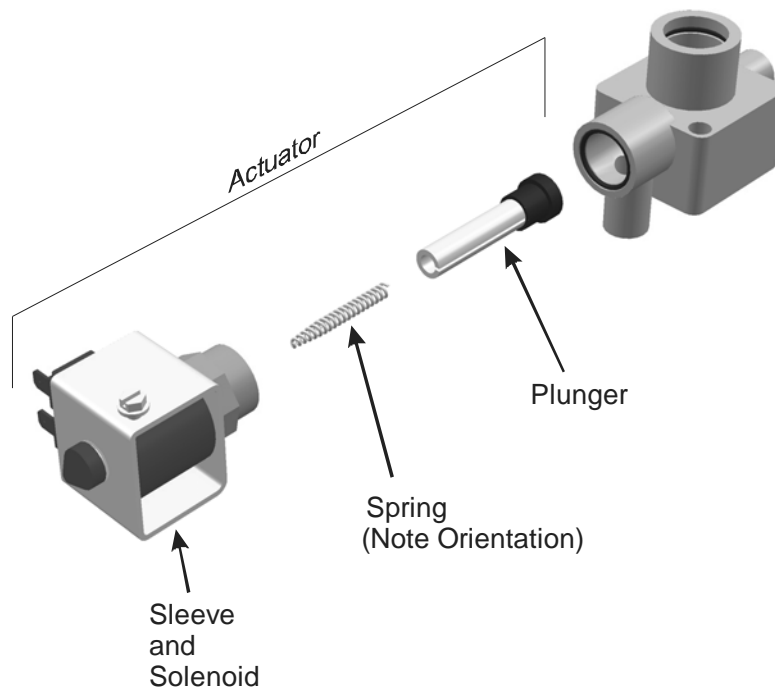


**Note:** Be sure to reattach the green ground wire to reduce the risk of electrical shock.

- 1 Disconnect spade terminals from the drain valve.
- 2 Remove the screw holding the green ground wire and the two screws holding the valve to the drain pan.
- 3 Squeeze the tabs of the spring clamp holding the hose to the drain valve and slide it up the hose. Pull hose from drain valve. Lift the drain valve from the drain pan.
- 4 Unsnap red coil cap on solenoid and remove the solenoid from the valve.
- 5 Loosen brass nut holding actuator to plastic housing with a wrench and disassemble actuator.
- 6 Clean actuator components and valve housing (inlet port, outlet port, and cylinder port). Put new o-ring that was supplied with new cylinder into valve.
- 7 Reassemble actuator making sure tapered end of spring is oriented as shown. Tighten brass nut 1/4 turn past hand tight.
- 8 Clean out end of hose and reattach to valve. Slide hose clamp back in place and place valve into drain pan.
- 9 Secure valve with 2 screws and attach green ground wire to solenoid.



**Figure 34: Drain Valve**



**Figure 35: Drain Valve Actuator Assembly**

## Installing the New Cylinder

**CAUTION:** Make sure the new cylinder is the same model as the one that was removed. Model number is on top left corner of cylinder label.



- 1** Insert cylinder into drain valve. Tilt cylinder forward and fit end of steam hose to steam outlet. Tip cylinder back into place.
- 2** Tighten hose clamp being careful not to over tighten and crush the plastic cylinder steam outlet.
- 3** Attach color-coded cylinder plugs to the corresponding color-coded cylinder pin. Push down completely. Connect high water sensor plug. Spring-loaded plugs should fit snugly onto the cylinder pin. Replace if they are loose or damaged.
- 4** Replace the humidifier cover and secure with two screws.
- 5** Turn on power to humidifier with the external disconnect.
- 6** Open supply water shut off valve.
- 7** Turn the humidifier On/Off /Drain switch to On.

## Extended Shutdown

Should it be required to disconnect power to the humidifier for a period of extended shut-down, always drain the cylinder first.

- 1 Switch the On/Off/Drain Switch to the Drain position.
- 2 Wait until the humidifier is completely drained (usually takes less than 10 minutes).
- 3 Turn the On/Off /Drain switch to the off position.
- 4 Shut off power to the humidifier with the external disconnect.
- 5 Close the supply water shut-off valve.



**Note:** As long as the RH2 is powered, it will automatically drain the cylinder when there has not been a call for humidity for an extended period of time. This feature will reduce or prevent the possibility of corrosion of the electrodes and the accumulation of algae and bacteria growing in the cylinder. The cylinder will remain empty until there is a call for humidity at which time the fill valve will open and refill the cylinder. The unit will go through its normal process for optimum operation.

## Starting After Extended Shutdown

- 1 Check to see the humidifier has not been damaged and the installation has not been altered. Refer to the Chapter on Start Up.
- 2 Turn on the power to the humidifier with the external disconnect.
- 3 Turn the On/Off/ Drain switch to the Drain position.
- 4 Wait until there is no water flowing to drain. It usually takes less than 10 minutes.
- 5 Follow the start up procedure in the chapter on Start Up.

## RH2 Maintenance Checklist

Model #: \_\_\_\_\_

Serial #: \_\_\_\_\_

Tag: \_\_\_\_\_

Cylinder #: \_\_\_\_\_

### CHECK CYLINDER

- Cylinder spent), yellow LED flashing 4 times in sequence.   
(If Yellow LED is On and cylinder is not new then cylinder will have to be replaced soon.)

### REPLACE CYLINDER

- Cylinder drained.
- Disconnect open, On/Off/Drain switch off, water shut off valve closed, cover removed.
- Cylinder removed
- Drain valve removed / cleaned / new O-Ring
- Drain valve installed / ground wire attached.
- New Cylinder Installed  New cylinder model # \_\_\_\_\_  
(Should be same as removed cylinder)
- Cylinder plug colors match cylinder dots.
- Cylinder plugs snug and in good condition.
- High Water Sensor plug snug and in good condition.
- Cover replaced, water shut off valve open, On/Off /Drain switch On, Disconnect Closed

### SYSTEM CHECK

- Yellow Led flashing? No  Yes  Flash Sequence? \_\_\_\_\_  
(See Troubleshooting Chapter for actions if yellow LED is flashing)
- Primary power disconnect turned off
- Cylinder plugs snug and in good condition.
- Electrical wiring not loose and in good condition,
- Steam hoses and steam lines in good condition / No kinks in hose,
- No Signs of water leaking around humidifier, steam line, condensate returns,

Inspected by: \_\_\_\_\_ Date of inspection: \_\_\_\_/\_\_\_\_/\_\_\_\_

Company: \_\_\_\_\_

# Troubleshooting

---

## **46 Organization of Troubleshooting Chapter**

## **46 Troubleshooting Requirements**

## **47 General Troubleshooting**

47 Humidifier

48 Steam Distributors

48 Blower Pack

48 Digital Humidistat

## **49 RH2 Faults**

49 LED Flash Sequence

49 Clearing a Fault

## **51 RH2 Wiring Diagram**



## Organization of Troubleshooting Chapter

The troubleshooting chapter is broken down into 2 sections.

<b>General Troubleshooting</b>	Deals with troubleshooting incorrect humidifier operation, steam line and plumbing issues without any control software faults.
<b>Humidifier Warnings and Faults</b>	Deals with faults that are generated by the humidifier's control software.

**CAUTION:** Be aware, when troubleshooting, that the humidifier is powered by high voltage and familiarity with both good practices and wiring of the humidifier is recommended. Any troubleshooting that requires opening the cabinet should be done by qualified personnel.



**NOTE:** Most humidifier faults are not caused by faulty equipment but rather by improper installation. A complete fault diagnosis always involves a thorough examination of the entire system. Often, the steam hose connection has not been properly executed, or the fault lies with the humidity control system.



### Troubleshooting Requirements

- Ensure the installation meets the installation requirements outlined in the Installation Chapter of this manual.
- Familiarize yourself with the operation of the humidifier by reading the Operation Chapter of this manual.
- Wiring diagram for specific for your humidifier is installed on the inside of the humidifier door. A generic copy of the RH2 wiring diagram is also included at the end of this chapter for reference purposes.
- When contacting your local representative or Nortec for troubleshooting assistance, please ensure the serial number has been obtained for reference purposes.

# General Troubleshooting

The following section provides general guidelines for troubleshooting the RH2 humidifier and auxiliary components. For detailed troubleshooting information refer to the manuals that were provided with the auxiliary equipment and to Table 8: Troubleshooting RH2 Faults after in this chapter.

## Humidifier

**Table 7: General Troubleshooting**

Symptom	Cause	Corrective Action(s)
Nothing happens when On/Off switch is turned on.	1 Fuse blown	1 Check inline fuse between transformer and control board.
	2 Incorrect Voltage	2 Check voltage against spec label and correct.
	3 Step Down Transformer not outputting 24VAC	3 Replace the transformer
	4 Incorrect primary power jumper	4 Check that jumper on high voltage terminal block is connected between P and terminal corresponding to supply voltage.
Humidifier will not humidify or not reaching RH2 setpoint	1 Safety loop open	1a Check if there is 24 VAC at terminal 2. 1b Check wiring and operation of On/Off devices connected to terminal 1 and 2. 1c Check jumper is installed in fan safety loop, terminal 8 and 9.
	2 No demand signal	2 Check voltage between terminal 3 and 4. For demand configuration 35% of full-scale signal must be present for humidifier to start.
	3 Not configured correctly for On/Off or modulating control	3 Check that J10 on control board is removed for modulating control and installed for On/Off control.
	4 Capacity has been manually limited	4 Check Manual Capacity adjustment potentiometer. Clockwise increases capacity.
	5 Low conductivity water	5 Check if yellow LED is on. If operated on low conductivity water it may take several hours for the RH2 to reach full output capacity. This is normal. During this time the humidifier will not perform any drains and the conductivity of the water in the cylinder will increase.
	6 Incorrect configuration (Modulating or On/OFF)	6 Check J10 on control board, remove if a modulating humidistat is being used.
Humidifier has faulted and yellow LED is flashing	1 Software has detected an abnormal condition	1 Refer to Table 8: Troubleshooting RH2 Faults.

## Steam Distributors

Symptom	Cause	Corrective Action(s)
Distributor spitting out water	1 Distributor not level	1 Use support at end o distributor to ensure it is level.
	2 "P" Trap too close to distributor	2 "P" Trap must be a minimum of 12 in (30 cm) below the distributor to ensure flow. Relocate if required.
	3 Condensate line not sloped sufficiently	3 Sufficient slope to insure flow is required. Reinstall if required.
	4 Trap blocked	4 Check that water flows through trap. Clear out if blocked.
	5 Steam line not insulated	5 If steam line is long condensate build up could overload distributor condensate port. Insulate line to improve efficiency and install additional condensate traps as required.
	6 Incorrect steam line installation	6 Check that steam line has been installed with condensate traps and slope per installation instructions on page 10.
Condensation in duct	1 Installation clearances not observed	1 Refer to distributor installation manual for required clearances. Relocate distributor if required.
	2 Design conditions changed	2 Check supply air temperature and humidity to determine if conditions have changed.
	3 High limit not functioning	3 Check setting and operation of high limit. Replace if defective.

## Blower Pack

Symptom	Cause	Corrective Action(s)
Blower not operating	1 No power to blower pack	1a Check power connection to blower pack. 1b Ensure unit is humidifying. The blower will not operate if the humidifier is not generating steam.

## Digital Humidistat

Symptom	Cause	Corrective Action(s)
Humidistat Reading incorrectly	1 Sensor out of calibration	1 Check reading against known reliable instrument. If out of calibration it can be field calibrated $\pm 10\%$ . Refer to humidistat documentation for calibration instructions.

## RH2 Faults

The self-diagnostic system built into the RH2 is continually monitoring the operation of the humidifier. When an abnormal condition occurs that cannot be self corrected by the software the RH2 will turn off power to the cylinder, drain the cylinder, and annunciate the fault using the yellow status LED.

### LED Flash Sequence

To differentiate between different fault conditions the yellow LED is flashed in different sequences. Table 8 lists the fault sequences that can be displayed, their meaning, possible cause and suggested corrective actions.

### Clearing a Fault

- Check the flash sequence against the list of fault messages and take any necessary actions to correct the cause(s) as outlined in Table 8: Troubleshooting RH2 Faults.
- Power cycle the humidifier with the On/Off switch waiting 10 seconds between turning it off and on.

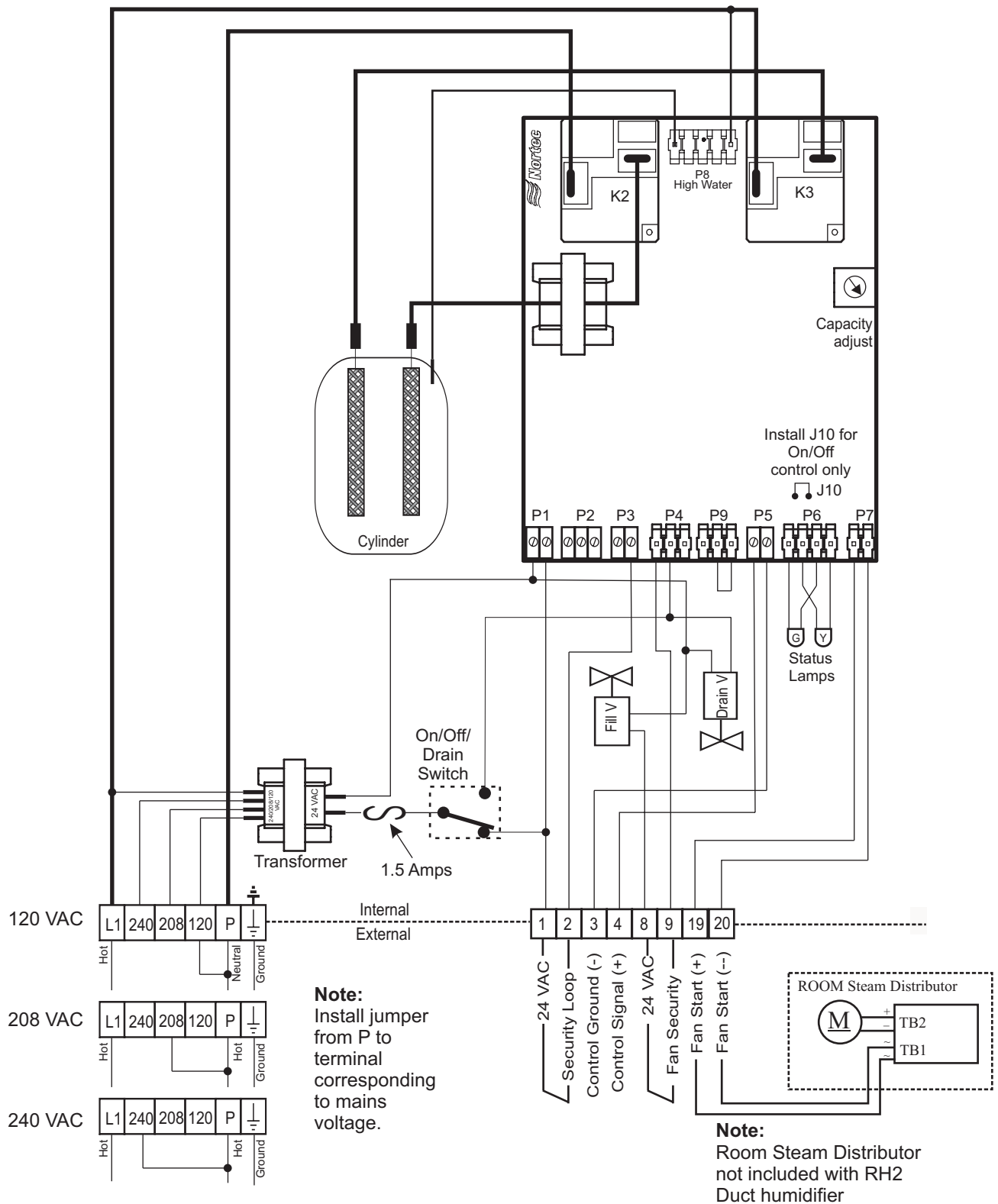
**Table 8: Troubleshooting RH2 Faults**

Yellow LED	System Detected	Cause	Corrective Action(s)
1 flash	<b>Excess Current</b> Current has exceeded 130% of max	1 Drain blocked water over concentrated	1 Clean the drain line
		2 Drain solenoid not energized, water over concentrated	2 Check and correct wiring to drain valve.
		3 Filling too fast, fill valve damaged	3 Replace the fill valve
		4 Filling too fast, wrong fill valve	4 Check for correct fill valve in parts list, replace if incorrect
		5 Water supply too conductive	5a Contact Nortec representative for recommendation on alternate cylinder 5b Change the water supply
		6 Humidifier short cycling	6a Check if high limit or other On/Off control is cycling On/Off in less than 5 minutes. Check location and setting of high limit. 6b Reduce the output by turning down the capacity potentiometer.
		7 Wrong cylinder installed	7 Install correct cylinder model
		8 Cylinder Spent but not detected by software	8 Replace the cylinder (see maintenance chapter)
		9 Condensate from other source	9 Remove condensate returns other than from steam line.
		10 Back pressure	10 Eliminate back pressure

**Table 8: Troubleshooting RH2 Faults (Continued)**

<b>Yellow LED</b>	<b>System Detected</b>	<b>Cause</b>	<b>Corrective Action(s)</b>
2 flashes	<p><b>No Current</b>                      Fill valve activated for long time but high water level not reached.                      Fill should be faster than 1" per minute.</p>	1 Drain valve leaking or stuck open	1 Clean drain valve or replace (see maintenance chapter)
		2 Water shut off valve closed	2 Open shut off valve
		3 Fill Valve strainer blocked	3 Clean out strainer on fill valve inlet.
		4 High system back pressure	4a Check for kinked hose 4b Check for proper condensate removal (see installation chapter) 4c Install fill cup extension
		5 High water sensor not connected	5 Check that cylinder plug with white marker is connected to short electrode with a plastic well around it and to control board.
		6 Low water conductivity	6a Check conductivity of water. If less than 150 microsiemens contact factory for recommendation. 6b Add 1/4 teaspoon of salt to fill cup and restart unit.
3 flashes	<p><b>No Current, High Water</b>                      Water level at top of cylinder with no current</p>	1 Primary wire not looped through current transformer.	1 Open disconnect, rewire primary wire through current transformer.
		2 High water sensor plug is on an electrode pin.	2 Install high water sensor plug on cylinder pin with shroud around it.
		3 Cylinder plugs installed incorrectly	3 Check that cylinder plugs colors match markers next to electrodes on cylinder and that white marked cylinder plug is connected to short electrode located in plastic well.
4 flashes	<p><b>Cylinder Spent</b>                      Electrodes covered with scale.</p>	1 Cylinder electrodes are covered with scale and humidifier cannot meet demand	1 Replace cylinder with same model number (see maintenance chapter)

# RH2 Wiring Diagram



Rh2 Humidifier 120/208/240 Vac  
INTERNAL WIRING DIAGRAM  
DIAGRAM No. 2548310 REV. C DATE: Mar. 3, 2010

Figure 36: RH2 Wiring Diagram

## **Exploded View and Spare Parts List**

# RH2 Spare Parts

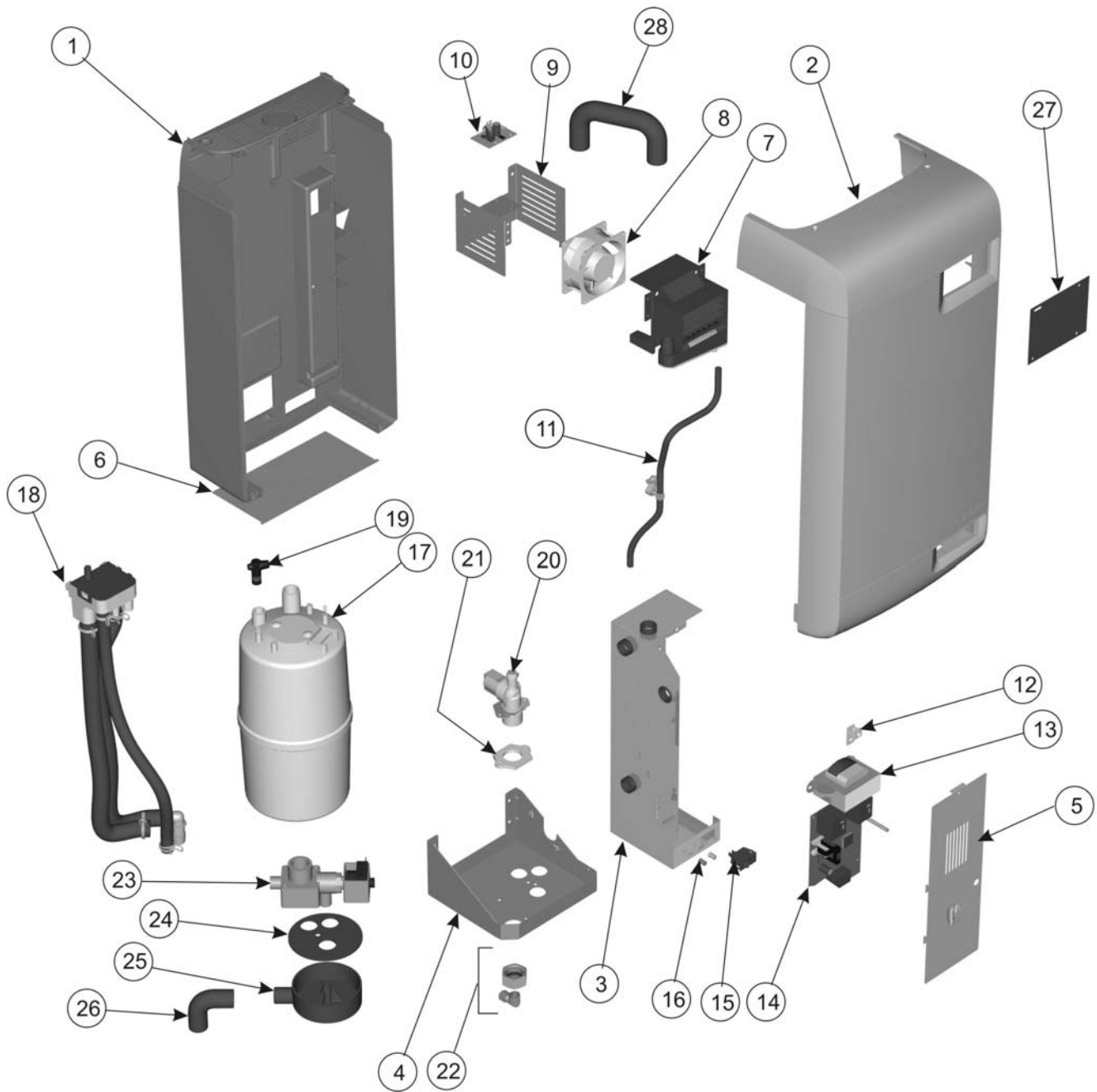


Figure 37: RH2 Spare parts



**Table 9: RH2 Spare Parts List**

Item	Nortec Part No.	Description
1	Reference	Housing, Plastic Back, RH
2	2547403	Housing, Plastic front cover, RH
3	Reference	Cabinet, Electrical Backplate, RH
4	2548001	Cabinet, Drain Pan, RH
5	2548000	Coverplate, Electrical, RH
6	2548313	Cover, bottom, RH
7	2548683	Distributor, Plastic, RH Blower
8	2548314	Fan, 80X80mm Tangential, 24Vdc
9	Reference	Bracket, fan, RH
10	2548008	PWB, Power Supply, RH Blower Pack
11	Contact Factory	Condensate Hose Kit, RH Blower Pack
12	1323020	GROUND CLAMP
13	2547999	Transformer Multi tap 120/208/240 to 24V
14	See Table 10 below	
15	1323097	Switch Rocker SPDT 5A-250V
16	1583008	LENS CLEAR 1/4in - LED DISPLAY
17	1519002	Cylinder 202
18	2547963	Fill cup assembly, RH
19	2547964	Cylinder Plug kit, RH
20	1313244	VALVE, FILL ASSLY 005-020 LBS
21	1455000	GASKET FOR FILL THRU CAB
22	1639011	COMP FTTG 1/4in ELBOW ASSLY
23	1456000	VALVE DRAIN 93BEIGE+24V COIL
24	2547997	Gasket, Drain canal, round, RH
25	1102503	Drain Canal Round
26	2547998	Hose, 7/8" drain preformed 90deg, RH
27	2548118	Grill, built in blower, RH
28	2549654	Hose, preformed steam outlet, RH-space
Not Shown	1583126	1.5A Fuse

**Table 10: Control Boards**

RH and RH2 use different control boards. It is important to confirm model type prior to ordering a new board.

Item	Nortec Part No.	Description
14	<b>RH2 Control Boards</b>	
	2553789	PCB RH2 Duct 10 lbs/hr
	2553790	PCB RH2 Space 8 lbs/hr
	<b>RH Control Boards</b>	
	2549518	PCB RH Duct 10 lbs/hr
	2549519	PCB RH Space 8 lbs/hr



# Warranty

---

Walter Meier Inc. and/or Walter Meier Ltd. (hereinafter collectively referred to as THE COMPANY), warrant for a period of two years after installation or 30 months from manufacturer's ship date, whichever date is earlier, that THE COMPANY's manufactured and assembled products, not otherwise expressly warranted (with the exception of the cylinder), are free from defects in material and workmanship. No warranty is made against corrosion, deterioration, or suitability of substituted materials used as a result of compliance with government regulations.

THE COMPANY's obligations and liabilities under this warranty are limited to furnishing replacement parts to the customer, F.O.B. THE COMPANY's factory, providing the defective part(s) is returned freight prepaid by the customer. Parts used for repairs are warranted for the balance of the term of the warranty on the original humidifier or 90 days, whichever is longer.

The warranties set forth herein are in lieu of all other warranties expressed or implied by law. No liability whatsoever shall be attached to THE COMPANY until said products have been paid for in full and then said liability shall be limited to the original purchase price for the product. Any further warranty must be in writing, signed by an officer of THE COMPANY.

THE COMPANY's limited warranty on accessories, not of the companies manufacture, such as controls, humidistats, pumps, etc. is limited to the warranty of the original equipment manufacturer from date of original shipment of humidifier.

THE COMPANY makes no warranty and assumes no liability unless the equipment is installed in strict accordance with a copy of the catalog and installation manual in effect at the date of purchase and by a contractor approved by THE COMPANY to install such equipment.

THE COMPANY makes no warranty and assumes no liability whatsoever for consequential damage or damage resulting directly from misapplication, incorrect sizing or lack of proper maintenance of the equipment.

THE COMPANY makes no warranty and assumes no liability whatsoever for damage resulting from freezing of the humidifier, supply lines, drain lines, or steam distribution systems.

THE COMPANY retains the right to change the design, specification and performance criteria of its products without notice or obligation.

**U.S.A.**  
**Walter Meier (Climate USA) Inc.**  
826 Proctor Avenue  
Ogdensburg, NY 13669

**CANADA**  
**Walter Meier (Climate Canada) Ltd.**  
2740 Fenton Road  
Ottawa, Ontario K1T 3T7

TEL: 1.866.NORTEC1  
FAX: 613.822.7964

EMAIL: [northamerica.climate@waltermeier.com](mailto:northamerica.climate@waltermeier.com)  
WEBSITE: [www.humidity.com](http://www.humidity.com)



**walter  
meier**