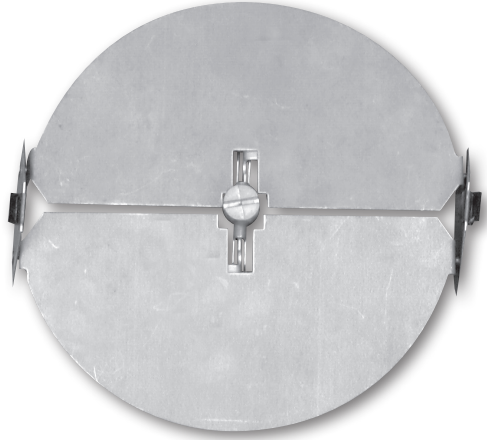


RP12 | Round Butterfly Damper

AIR DISTRIBUTION ACCESSORIES



RP12

**Introduction: RP12**

**MODEL**

RP12 - Round Butterfly Damper, Steel Construction

**FEATURES**

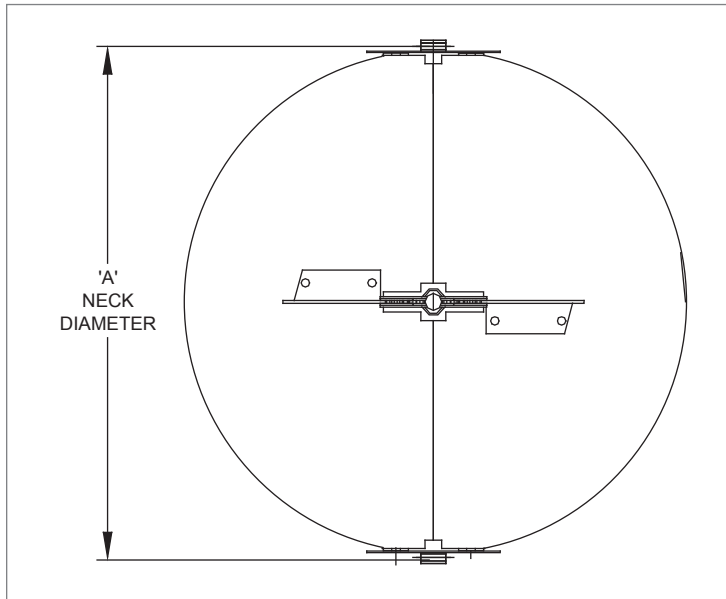
- Mounted directly to round neck diffuser.
- Operated by flat-head screwdriver through face.
- Shipped loose for field installation.

**FINISH**

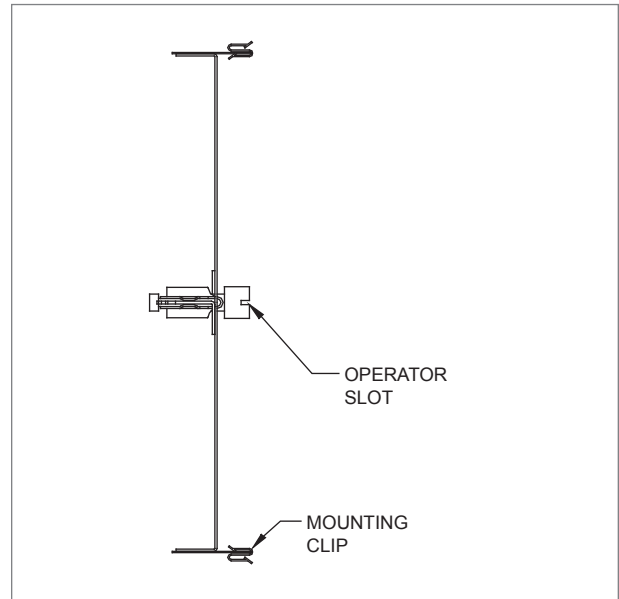
- Standard finish is Mill.

**RP12 Dimensional Information**

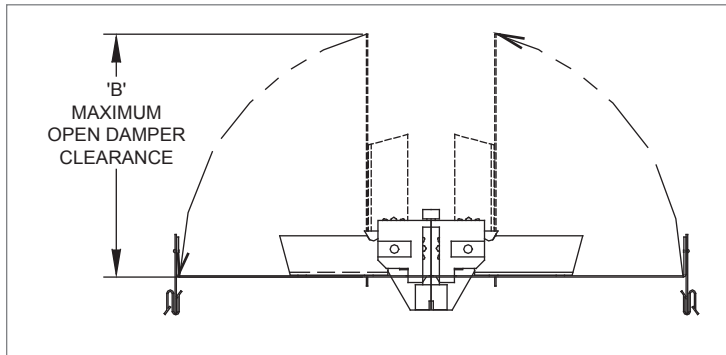
**RP12, FACE VIEW**



**RP12, CROSS SECTION (DAMPER CLOSED)**



**RP12, CROSS SECTION (DAMPER OPEN)**



**AVAILABLE SIZES**

Size	A	B
6" (152)	5 7/8" (149)	2 3/4" (70)
8" (203)	7 7/8" (200)	3 3/4" (95)
10" (254)	9 7/8" (251)	4 3/4" (121)
12" (305)	11 7/8" (302)	5 3/4" (146)
14" (356)	12 7/8" (352)	6 3/4" (172)

NOTES: Dimensions in parentheses are mm. Reference page Q1-26 for applicable product.

R  
P  
1  
2