

Introduction: OBD, 5OBD
MODELS

OBD - Opposed Blade Damper, Steel Construction

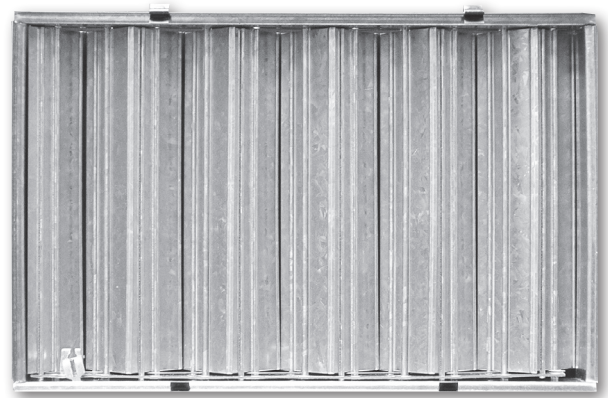
5OBD - Opposed Blade Damper, Aluminum Construction

FEATURES

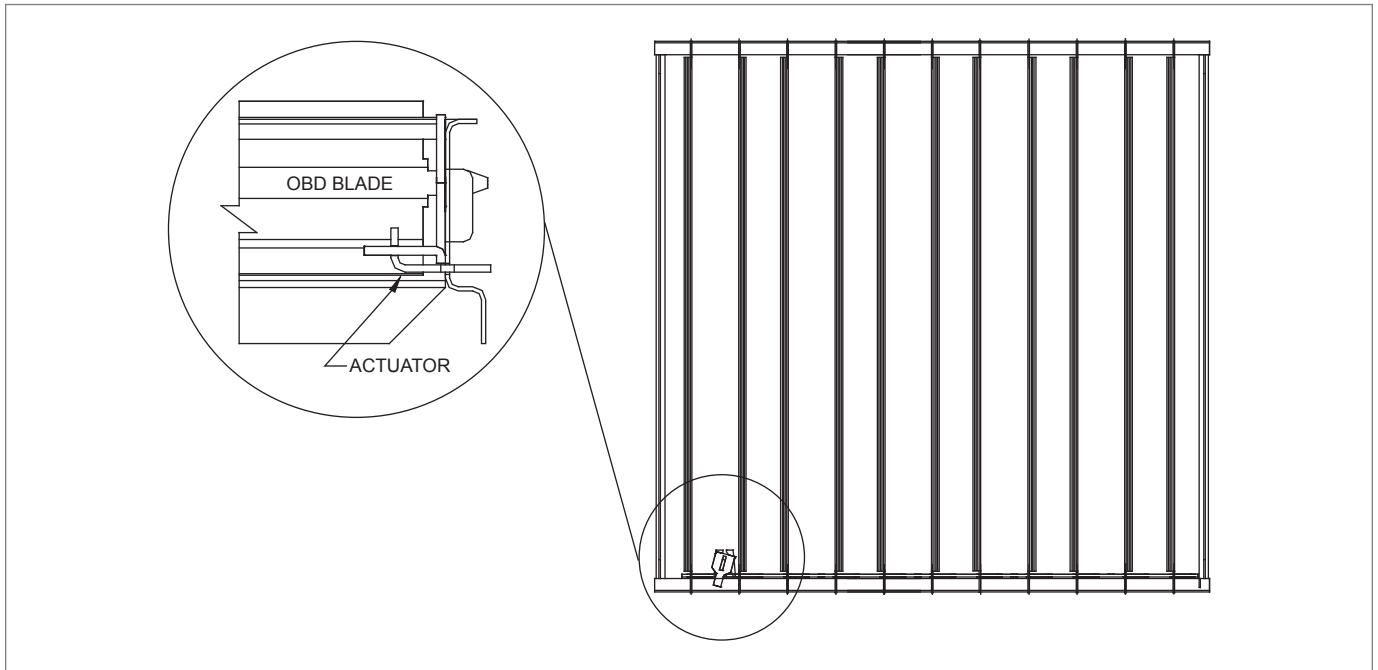
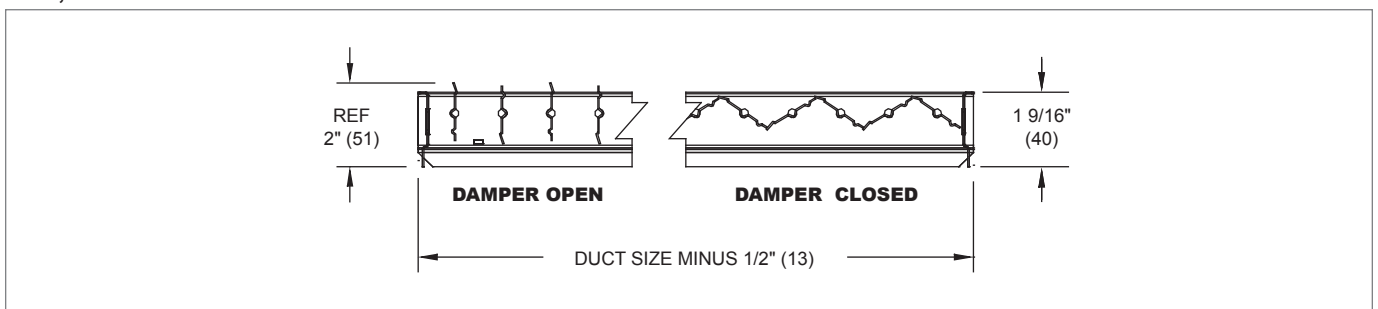
- Operated by flat-head screwdriver through face.
- Maximum single size damper is 18"x24" (457x610mm); multiple dampers used to create larger sizes.

FINISHES

- Standard finish is Mill.
- Painted damper is available as model POBD.



OBD

OBD, 5OBD Dimensional Information
OBD, FACE VIEW

OBD, CROSS SECTION


NOTES: Dimensions in parentheses are mm. Reference page Q1-26 for applicable product.