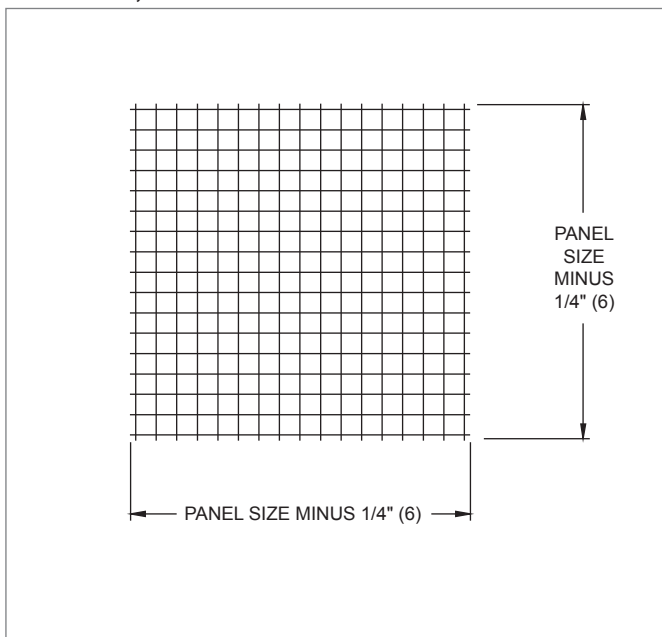
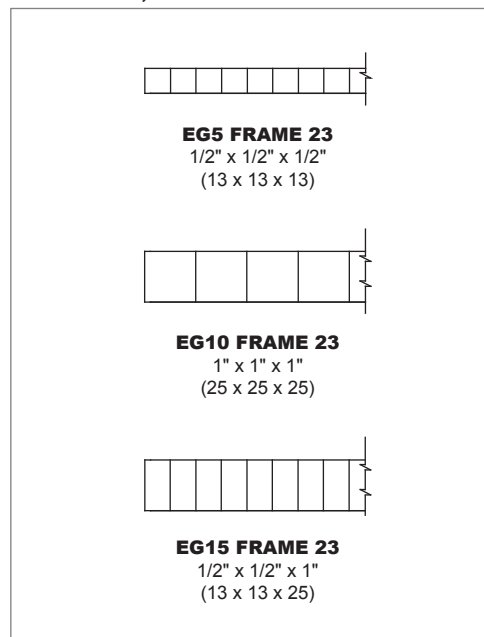
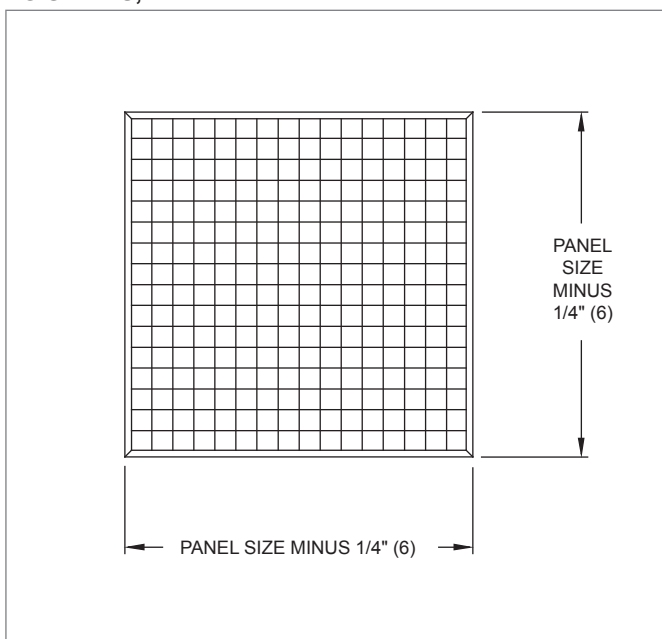


**EG5, EG10, EG15 Dimensional Information**
**EG SERIES, FACE VIEW**

**EG SERIES, FRAME 23**

**EG SERIES, FACE VIEW WITH FRAME FTB**


NOTE: Dimensions in parentheses are mm.

**EG SERIES, FRAME FTB**
