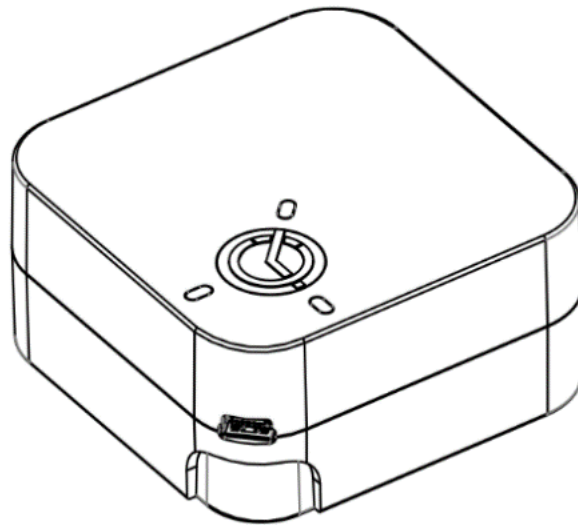


Job Name:		Location:		
Purchaser:				
Engineer:				
Submitted To:	For:	Reference	Approval	Construction
Submitted By:		Date:		
Unit Designation, Schedule No.:		Model No.:		

Features:

- Seamless integration of HVAC indoor units with Home Automation / BMS controllers.
- Supports all leading manufactures of HVAC systems (full list under: <https://coolautomation.com/products/coolplug-coolinkhub/>)
- Modbus interface to Home automation and BMS systems
- Allows full control & monitoring of HVAC indoor unit operation
- Wired version: Simple wiring process between CoolPlug and CoolLinkHUB.
- Wireless version only: no need for wiring between CoolPlug and CoolLinkHUB.



SDS – CoolPlug

CoolAutomation products are subject to continuous improvements. CoolAutomation reserves the right to modify product design, specifications and information in this datasheet without notice and without incurring any obligations.

Power:

Power Supply	8-20 VDC, From indoor unit
Power Consumption	0.4 Watt

Operating Conditions:

Surrounding Temperature Limits:	-10° C to +60° C +14 F to +140 F
Humidity (%)	0% to 96%
Dimensions (H x W x D) (inches/mm)	2.44 x 2.44 x 1.22 / 62 x 62 x 31
Weight (lbs/kg)	0.26/0.12
Maximum PBUS wiring length (ft/m)	3280/1000

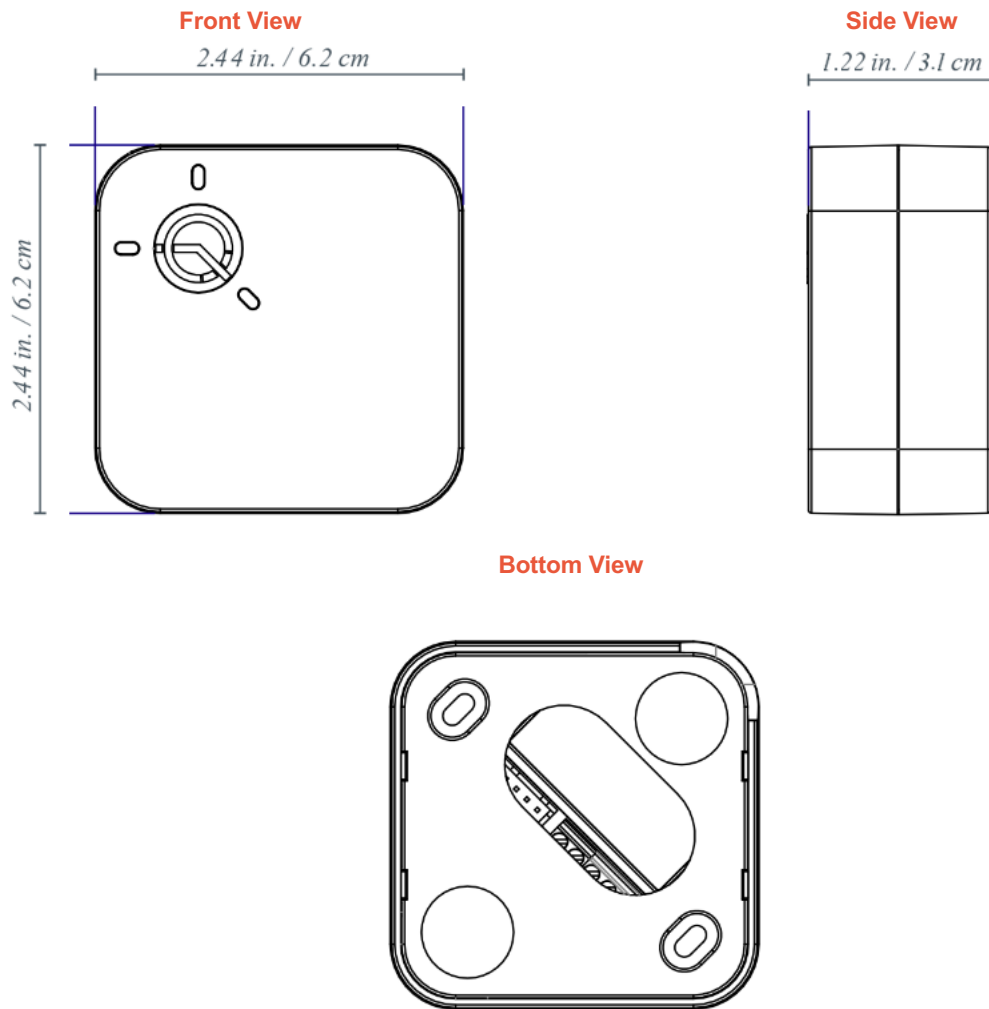
Communication and connectivity:

CoolLinkHub communication	PBUS interface, 2 wire, shielded, polarized, twisted pair 20-24 AWG
Wireless communication (wireless model only)	2.4 Ghz, spread spectrum 802.15.4 , wireless mesh
Wireless range (ft/m)	65/20
Indoor HVAC connectivity	2 wire, non-polar, 20-24 AWG / 3 wire, polar, 20-24 AWG (Based on the specific

SDS – CoolPlug

CoolAutomation products are subject to continuous improvements. CoolAutomation reserves the right to modify product design, specifications and information in this datasheet without notice and without incurring any obligations.

Dimensional drawings:



SDS – CoolPlug

CoolAutomation products are subject to continuous improvements. CoolAutomation reserves the right to modify product design, specifications and information in this datasheet without notice and without incurring any obligations.