

Job Name:	Location:
Purchaser:	
Engineer:	
Submitted To:	For: <input type="checkbox"/> Reference <input type="checkbox"/> Approval <input type="checkbox"/> Construction
Submitted By:	Date:
Unit Designation: Schedule #:	Model No.:

Features

- Seamless integration of VRF HVAC systems with all Home Automation / BMS controllers
- Supports any VRF HVAC equipment
- Interfaces
 - RS232 (ASCII),
 - RS485 (MODBUS RTU, BACnet MSTP),
 - Ethernet (ASCII & MODBUS IP, BACnet IP)
- VRF System Diagnostics for local integration over BACnet, Modbus, Rest-API
- Control and monitor indoor units from the touch screen
- Multi brand support on a single device
- Digital I/O (for all on/all off triggering)
- Configurable I/O's (Future option)
- Cloud App — remote access by Smartphone, Tablet and PC through internet (<https://coolautomation.com/products/controlapp/>)
- Full control & monitoring of HVAC indoor unit's operation
- HVAC systems diagnostics – available on Cloud Application for monitoring
- Cloud integration by API (optional)



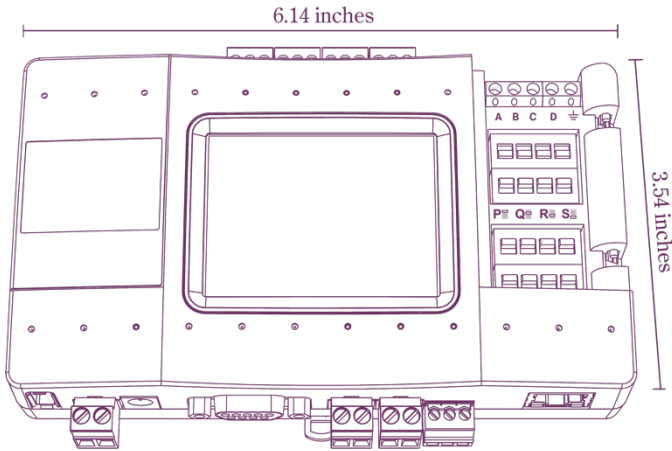
Power Requirements	
Power Supply*: (power adapter included)	120VAC 60 Hz /220VAC 50 Hz
Power Consumption:	1.5Watt
Operating Conditions	
Surrounding Temperature Limit:	-10° C to +60° C +14 F to +140 F
Humidity (%)	0% to 96%
Dimensions (H x W x D) (inches/mm)	3.54 x 6.14 x 1.37 / 90 x 156 x 35
Weight (lbs/Gr)	0.58 / 265
Maximum number outdoor units* *Per HVAC vendor specifications	10-40
Maximum number indoor units* *per HVAC vendor specifications	32
Maximum allowable wiring length to BMS over RS232 (ft)	82
Air-conditioning communication (Brand dependent)	2-3 wired shielded cable

engineering for each project are necessary.
Specifications are subject to change without notice.

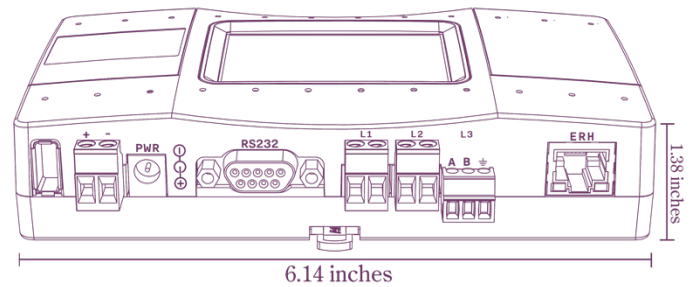
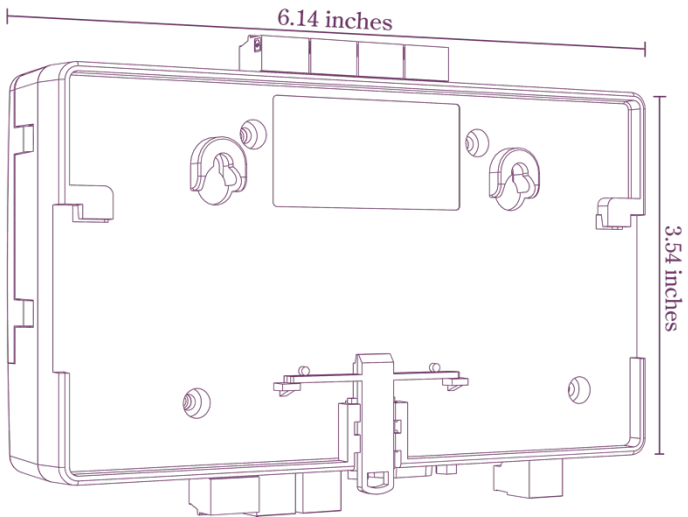
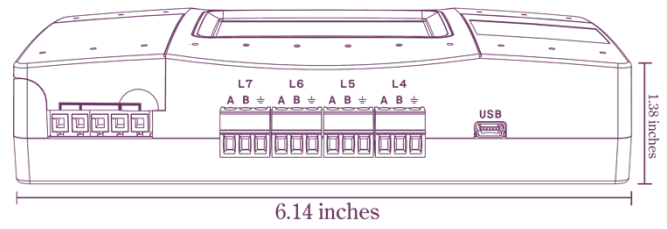
Configuration and

DIMENSIONAL DRAWINGS:

Front View



Top View



Back View
Bottom View