



ECL-VAV Series

LONMARK® Certified Single Duct VAV / VVT Controllers



Overview

The ECL-VAV Series controllers are microprocessor-based programmable variable air volume (VAV) controllers designed to control any variable air volume box. Each controller uses the LonTalk® communication protocol and is LONMARK certified as an SCC VAV.



Applications

These controllers meet the requirements of the following applications:

- Cooling Only VAV Boxes
- Cooling with Reheat VAV Boxes
- Parallel Fan VAV Boxes
- Series Fan VAV Boxes
- Dual-Duct VAV Systems

Features & Benefits

Flexible Inputs and Outputs

This controller has various input types including resistance, voltage, and digital-based ones. Moreover, it provides digital, floating, pulse width modulation, and proportional control outputs for valves, heating elements, fans, and lighting applications. This controller covers all industry-standard HVAC unitary applications.

Highly Accurate Universal Inputs

Highly accurate universal inputs support thermistors and resistance temperature detectors (RTDs) that range from 0 Ohms to 350,000 Ohms, as well as support for inputs requiring 0 to 10VDC or 0 to 20mA with an external resistor. This provides the freedom of using your preferred or engineer-specified sensors, in addition to any existing ones.

Rugged Inputs/Outputs

Rugged hardware inputs and outputs eliminate need for external protection components, such as diodes for 12V DC relays.

Preloaded Applications

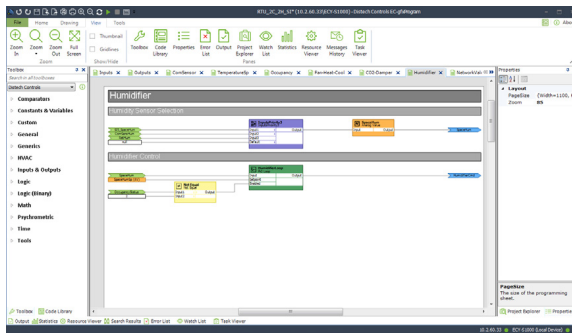
Factory preloaded applications allow these controllers, straight out of the box, to operate standard VAV equipment with a proven energy-efficient sequence of operation thereby eliminating the need for programming. The preloaded application can be selected using an Allure EC-Smart-View sensor even before the network has been installed for rapid deployment or through the EC-Net^{AX}™ solution using Distech Controls' *dcgfx* Applications.

Integrated VPACC

Integrated VAV Performance Assessment Control Charts (VPACC) control sequences, provides a means of automatically detecting when the VAV is operating outside of its design parameters including: Persistent High/Low Space Temperature, Persistent High/Low Discharge Temperature, Persistent High/Low Air Flow, and Unstable Air Flow.

Programmability

Supports Distech Controls' *EC-gfx* Program, which makes Building Automation System (BAS) programming effortless by allowing you to visually assemble building blocks together to create a custom control sequence for any HVAC / building automation application.



Increased Energy Efficiency

Improves energy efficiency when combined with:

- Motion detectors to automatically adjust a zone's occupancy mode from standby to occupied when presence is detected
- CO₂ sensors as part of a demand-controlled ventilation strategy that adjusts the amount of fresh air intake according to the number of building occupants
- Light switches to control both lighting and a room's HVAC occupancy / standby mode setting

On-Board Air Flow Sensor

The controllers (except for the VVTS model) are equipped with an accurate on-board air flow sensor for precise air flow monitoring and control at low and high air flow rates, allowing the design for maximum energy efficiency while maintaining an optimal comfort level

The on-board air flow sensor has a range of 0 to 2 inches of water column (500 Pascal).

Built-in Actuator

A built-in actuator with a brushless motor and integrated position feedback system eliminates periodic damper re-initialization and ensures worry-free operation, providing increased occupant comfort and extended service life (except VAV-N models).

The built-in actuator for precise damper positioning used for loads requiring up to 35 inch-pounds (4 Newton-meters) of torque.

Optimized Air Balancing

Optimized air balancing process saves time during commissioning: the flow sensor requires no zero flow calibration, and its variable-speed motor goes to minimum and maximum flow position in half the time of typical VAV actuators.

Smart Room Control Support

The Smart Room Control solution is an end-to-end system for the control of HVAC equipment, lighting, and shades/sunblinds, achieving the highest levels of comfort for occupants while cutting costs from installation time and wiring/material requirements to energy consumption. This solution combines:

- Lighting and shade/sunblind expansion modules to control lights (DALI, on/off or dimming) and shades/sunblinds (up/down and angle rotation).
- Multi-sensor combining motion and luminosity (Lux) sensors and equipped with an Infrared receiver that works with a convenient remote control.
- Wireless (infrared) personal remote control for increased occupant comfort.
- Allure™ Series Communicating Sensors for increased occupant comfort settings.

Open-to-Wireless™ Solution



The controllers are Open-to-Wireless™ ready, and when paired with the Wireless Receiver, work with a variety of wireless battery-less sensors and switches, to reduce the cost of installation and minimize the impact on existing partition walls. For supported frequencies in your area, refer to the [Open-to-Wireless Solution Guide](#).

Available with an optional Wireless Receiver that supports up to 18 wireless inputs to create wire-free installations.

Allure™ Series Communicating Sensor Support

These controllers work with a wide range of sensors, such as the Allure Series Communicating Sensors that are designed to provide intelligent sensing and control devices for increased user experience and energy efficiency.

- Allure EC-Smart-View sensors feature a backlit-display and graphical menus that provide precise environmental zone control, with any combination of the following: temperature, humidity, CO₂, and motion sensor.
- Allure EC-Smart-Comfort sensors feature colored LED indicators to provide user feedback, rotary knobs to adjust the setpoint offset and fan speed, and an occupancy override push button. This sensor can also be expanded with a combination of up to 4 add-on push button modules for lighting and shade/ sunblind control.
- Allure EC-Smart-Air sensors combine precise environmental sensing in a discreet and alluring enclosure for temperature, humidity, and CO₂.



Supported Platforms








The EC-Net^{AX} multi-protocol integration solution is web-enabled and powered by the Niagara^{AX} Framework, establishing a fully Internet-enabled, distributed architecture for real-time access, automation and control of devices. The EC-Net^{AX} open framework solution creates a common development and management environment for integration of LONWORKS®, BACnet® and other protocols. Regardless of manufacturer and protocol, the EC-Net^{AX} system provides a unified modeling of diverse systems and data, providing one common platform for development, management and enterprise applications.

VAV Terminal Block Cover

A cover designed to conceal the wire terminals. Required to meet local safety regulations in certain jurisdictions.



Model Selection

					
Model	ECL-VAVS-O	ECL-VAVS	ECL-VAV	ECL-VVTS	ECL-VAV-N
Points	5-Point VAV	7-Point VAV	12-Point VAV	6-Point VAV	11-Point VAV
Universal hardware inputs	0	2	4	2	4
Built-in flow sensor	■	■	■		■
Wireless inputs¹	18	18	18	18	18
15 Vdc Power Supply			■		■
Digital (Triac) outputs	2	2	4	2	4
Universal outputs	1	1	2	1	2
Built-in actuator	■	■	■	■	

1. All controllers are Open-to-Wireless ready. Available when an optional Wireless Receiver is connected to the controller. Some wireless sensors may use more than one wireless input from the controller.

Recommended Applications

Model	ECL-VAVS-O	ECL-VAVS	ECL-VAV	ECL-WTS	ECL-VAV-N
Cooling Only VAV Box	■	■		■	
Cooling w/ Reheat VAV Box	■	■		■	
Cooling w/ Reheat VAV Box & Perimeter Heating			■		
Parallel Fan VAV Box			■		
Series Fan VAV Box			■		
Dual Duct VAV Box ^{1,3}	■	■			
Large Damper VAV Box ²					■
Existing Damper Actuator					■
Room Pressurization			■		
Smart Room Control support for HVAC, light, and shades/sunblinds			■		

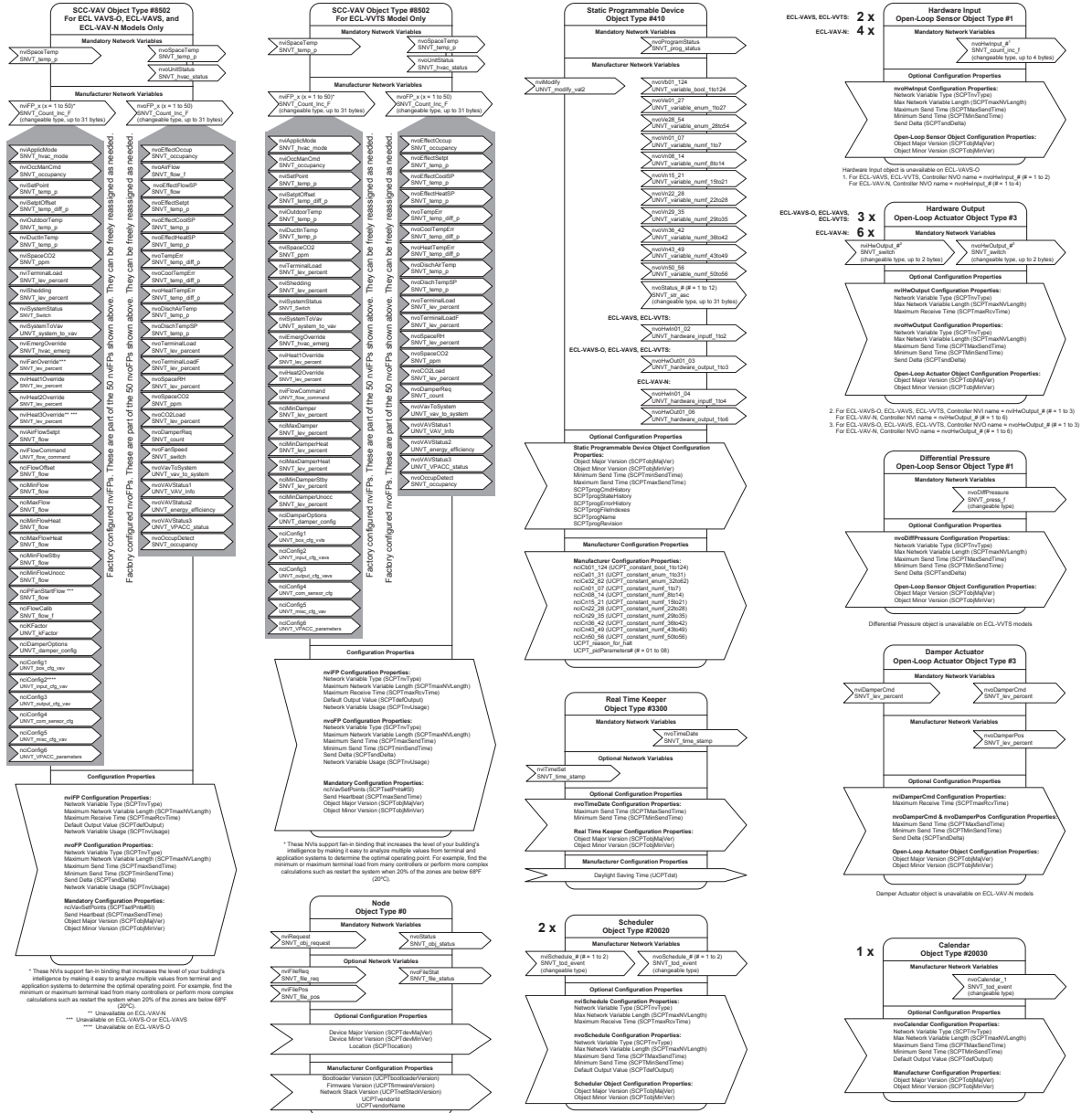
1. Two controllers are required or one controller with an external flow sensor and actuator.
2. Requiring more than 35 in-lb (4 Nm) actuator torque.
3. This configuration is not supported by factory preloaded applications. Programming is required.

Objects List

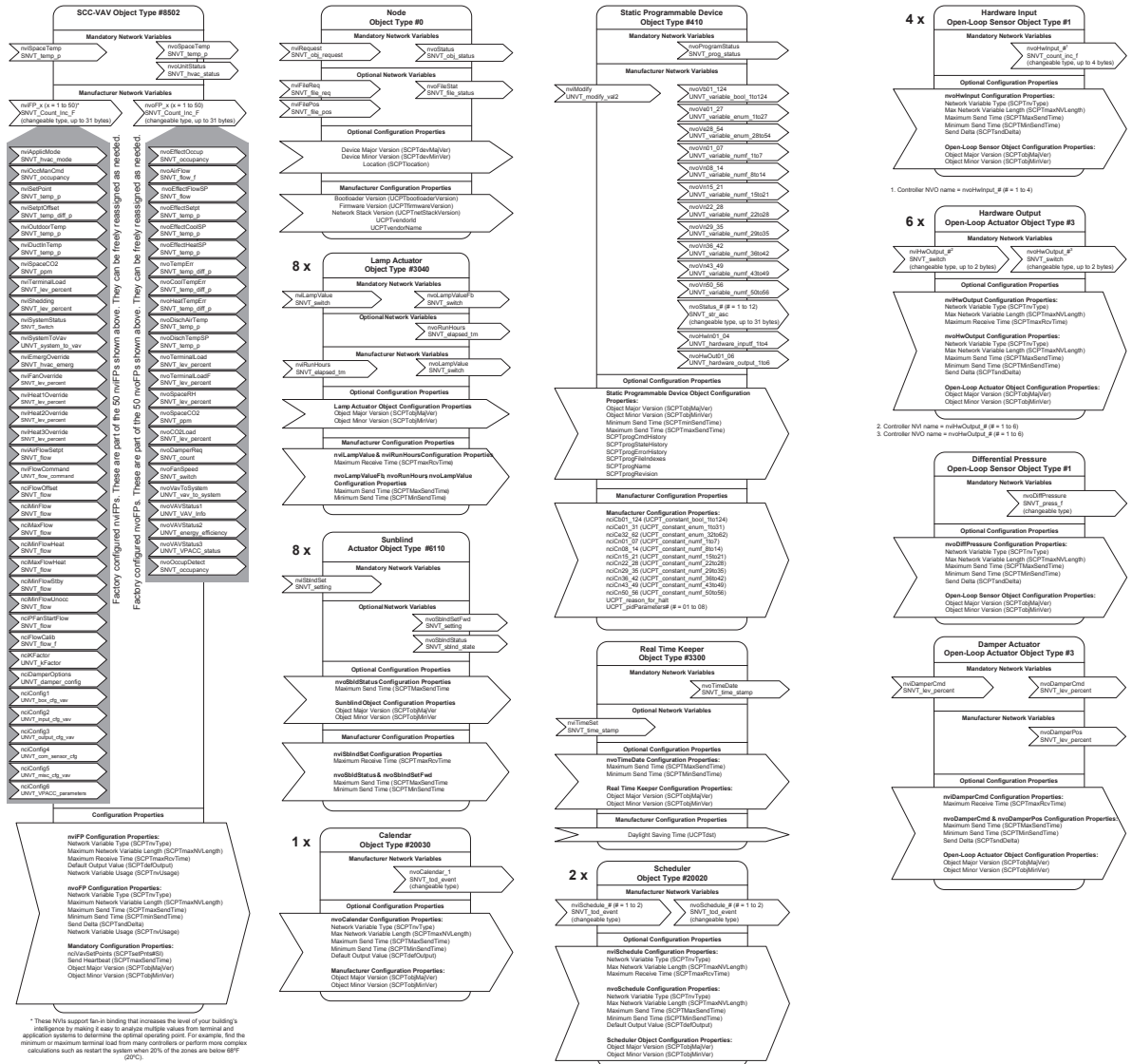
Model	ECL-VAVS-O	ECL-VAVS	ECL-VAV	ECL-WTS	ECL-VAV-N
Calendar Objects	1	1	1	1	1
<input type="checkbox"/> Events per calendar	50	50	50	50	50
Schedule Objects	2	2	2	2	2
<input type="checkbox"/> Special events per schedule	5	5	5	5	5
PID Loop Objects	8	8	8	8	8
Constants:					
<input type="checkbox"/> Boolean	124	124	124	124	124
<input type="checkbox"/> Enumeration	62	62	62	62	62
<input type="checkbox"/> Numeric	56	56	56	56	56
Variables:					
<input type="checkbox"/> Boolean	124	124	124	124	124
<input type="checkbox"/> Enumeration	54	54	54	54	54
<input type="checkbox"/> Numeric	56	56	56	56	56
nciSetpoint	■	■	■	■	■
Total Network Variables	163	166	174	165	171
Network Variable Input (General Usage):					
<input type="checkbox"/> NVI Changeable Type, Up to 31 Bytes	50	50	50	50	50
Network Variable Output (General Usage):					
<input type="checkbox"/> NVO Changeable Type, Up to 31 Bytes	50	50	50	50	50
Hardware Input Network Variable:					
<input type="checkbox"/> nvoHwInput per Hardware Input		■	■	■	■
Hardware Output Network Variable:					
<input type="checkbox"/> nviHwInput per Hardware Output	■	■	■	■	■
<input type="checkbox"/> nvoHwInput per Hardware Output	■	■	■	■	■
Lamp Object			8		
Sunblind Object			8		

Functional Profile

ECL VAVS-O, ECL-VAVS, ECL-VAV-N, and ECL-VVTS



ECL-VAV



Product Specifications

Power Supply Input

Voltage Range	24VAC/DC; ±15%; Class 2
Frequency Range	50/60Hz
Overcurrent Protection	Field replaceable fuse
Fuse Type	2.0A 3.0A (for triacs when using the internal power supply)
Power Consumption	10 VA typical plus all external loads ¹ , 85 VA max. (including powered triac outputs)

1. External loads must include the power consumption of any connected modules such as an Allure Series Communicating Sensor. Refer to the respective module's datasheet for related power consumption information.

Communications

Communication	LonTalk Protocol
Transceiver	FT 5000 Free Topology Smart Transceiver
Channel	TP/FT-10; 78Kbps
LonMark Interoperability Guidelines	Version 3.4
Device Class	SCC VAV

LonMark Functional Profile :

<input type="checkbox"/> Input Objects	Open-Loop Sensor #1
<input type="checkbox"/> Output Objects	Open-Loop Actuator #3
<input type="checkbox"/> Node Object	Node Object #0
<input type="checkbox"/> Real Time Clock	Real Time Keeper #3300
<input type="checkbox"/> Scheduler	Scheduler #20020
<input type="checkbox"/> Calendar	Calendar #20030
<input type="checkbox"/> Programmable Device	Static Programmable Device #410
<input type="checkbox"/> SCC Object	SCC VAV #8502

Hardware

Processor	STM32 (ARM Cortex™ M3) MCU, 32 bit
CPU Speed	68 MHz
Memory	384 kB Non-volatile Flash (applications) 1 MB Non-volatile Flash (storage) 64 kB RAM
Real Time Clock (RTC)	Built-in Real Time Clock without battery Network time synchronization is required at each power-up cycle before the RTC become available
Status Indicator	Green LEDs: power status & LAN Tx Orange LEDs: controller status & LAN Rx

Subnetwork

Communication	RS-485
Cable	Cat 5e, 8 conductor twisted pair
Connector	RJ-45
Connection Topology	Daisy-chain Configuration

- Maximum number of supported devices per controller combined _____ 4¹
- Allure EC-Smart-Vue Series _____ Up to 4
 - Allure EC-Smart-Comfort Series _____ Up to 4
 - Allure EC-Smart-Air Series _____ Up to 4
 - For the ECL-VAV Model Only²:
 - EC-Multi Sensor _____ Up to 4
 - ECx-Light-4 / ECx-Light-4D _____ Up to 2
 - ECx-Blind-4 / ECx-Blind-4LV _____ Up to 2
1. A controller can support a maximum of two Allure Series Communicating Sensor models equipped with a CO₂ sensor. The remaining connected Allure Series Communicating Sensor models must be without a CO₂ sensor.
2. For supported quantities, see the **VAV-Smart Room Control Device Calculator.xlsm** spreadsheet file available for download from SmartSource.

Wireless Receiver¹

- Communication Protocol _____ EnOcean wireless standard
- Number of Wireless Inputs² _____ 18
- Supported Wireless Receivers _____ Refer to the Open-to-Wireless Solution Guide
- Cable _____ Telephone cord
- Connector _____ 4P4C modular jack
 - Length (maximum) _____ 6.5ft; 2m



- Available when an optional external Wireless Receiver module is connected to the controller. Refer to the Open-to-Wireless Solution Guide for a list of supported EnOcean wireless modules.
- Some wireless modules may use more than one wireless input from the controller.

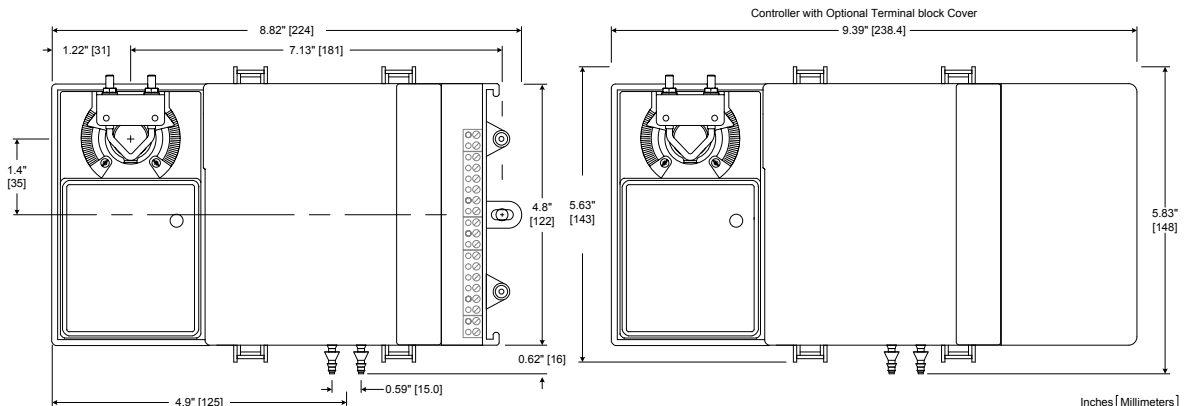
Integrated Damper Actuator

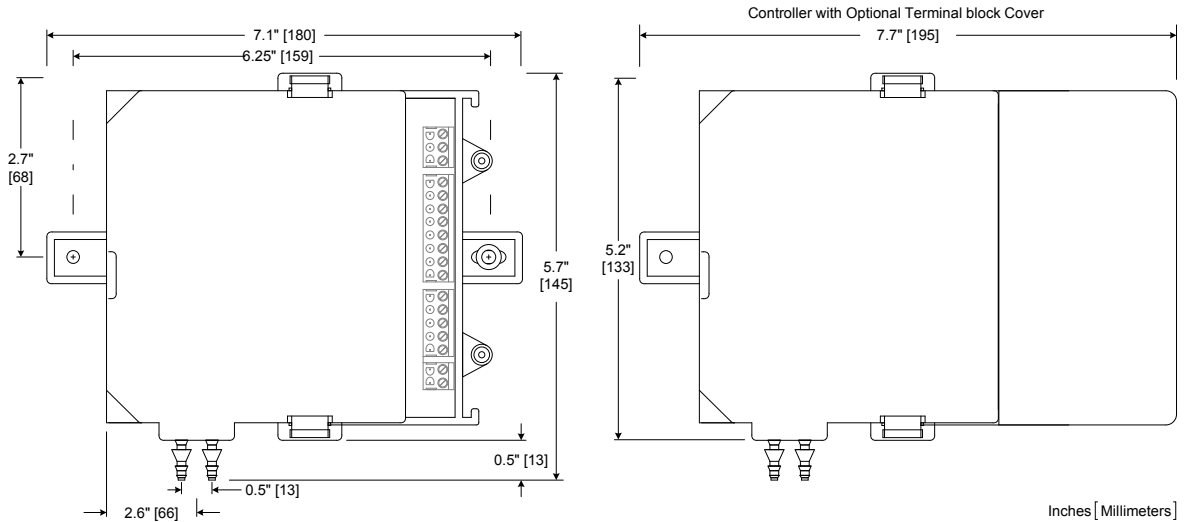
- Motor _____ Belimo LMZS-H brushless DC motor
- Torque _____ 35 in-lb, 4 Nm
- Degrees of Rotation _____ 95° adjustable
- Fits Shaft Diameter _____ 5/16 to 3/4"; 8.5 to 18.2mm
- Acoustic Noise Level _____ < 35 dB (A) @ 95° rotation in 95 seconds

Mechanical

Dimensions (H × W × D):

- ECL-VAV-N _____ 145 × 180 × 54.0mm (5.7 × 7.1 × 2.13")
- Other Models _____ 5.83 × 8.82 × 2.56" (148 × 224 × 65.0mm)





Shipping Weight:

- ECL-VAV-N _____ 0.92lbs (0.42kg)
- Other Models _____ 2.03lbs (1.05kg)

Enclosure Material¹ _____ FR/ABS

Enclosure Rating _____ Plastic housing, UL94-5VB flammability rating
Plenum rating per UL1995

Color _____ Black & blue casing & grey connectors

1. All materials and manufacturing processes comply with the RoHS directive and are marked according to the Waste Electrical and Electronic Equipment (WEEE) directive

Environmental

Operating Temperature _____ 32°F to 122°F; 0°C to 50°C

Storage Temperature _____ -4°F to 122°F; -20°C to 50°C

Relative Humidity _____ 0 to 90% Non-condensing

Standards and Regulations

CE:

- Emission _____ EN61000-6-3: 2007; A1:2011; Generic standards for residential, commercial and light-industrial environments
- Immunity _____ EN61000-6-1: 2007; Generic standards for residential, commercial and light-industrial environments

FCC _____ This device complies with FCC rules part 15, subpart B, class B

UL Listed (CDN & US) _____ UL916 Energy management equipment

CEC Appliance Database _____ Appliance Efficiency Program¹

1. California Energy Commission's Appliance Efficiency Program: The manufacturer has certified this product to the California Energy Commission in accordance with California law.



Specifications - On-Board Air Flow Sensor

Range 0-2.0 in. W.C. (0-500 Pa)
Input Resolution 0.00007 in. W.C. (0.0167 Pa)
Air Flow Accuracy $\pm 4.0\%$ @ > 0.05 in. W.C. (12.5 Pa)
 $\pm 1.5\%$ once calibrated through air flow balancing @ > 0.05 in. W.C. (12.5 Pa)

Specifications - Universal Inputs (UI)

General

Input Type Universal; software configurable
Input Resolution 16-bit analog / digital converter
Power Supply Output 15VDC; maximum 80mA

Contact

Type Dry contact

Counter

Type Dry contact
Maximum Frequency 1Hz maximum,
Minimum Duty Cycle 500milliseconds On / 500milliseconds Off

0 to 10VDC

Range 0 to 10VDC (40k Ω input impedance)

0 to 5VDC

Range 0 to 5VDC (high input impedance)

0 to 20mA

Range 0 to 20mA
249 Ω external resistor wired in parallel

Resistance/Thermistor

Range 0 to 350 K Ω

Supported Thermistor Types Any that operate in this range

Pre-configured Temperature Sensor Types:

- Thermistor 10K Ω Type 2, 3 (10K Ω @ 77°F; 25°C)
- Platinum Pt1000 (1K Ω @ 32°F; 0°C)
- Nickel RTD Ni1000 (1K Ω @ 32°F; 0°C)
RTD Ni1000 (1K Ω @ 69.8°F; 21°C)

Specifications - Universal Outputs (UO)

General

Output Type — Universal; software configurable

Output Resolution — 10-bit digital to analog Converter

Output Protection — Built-in snubbing diode to protect against back-EMF,
for example when used with a 12VDC relay
Output is internally protected against short circuits

Load Resistance — Minimum 600 Ω for 0-10VDC and 0-12VDC outputs
Maximum 500 Ω for 0-20mA output

Auto-reset fuse — Provides 24VAC over voltage protection

0 or 12VDC (On/Off)

Range — 0 or 12VDC

Source Current — Maximum 20 mA at 12VDC (minimum load resistance 600 Ω)¹

1. Relays equipped with coil that consume between 20 and 35mA can be used with up to 2 Universal Outputs when the 15V Power Supply Output is de-rated to supply 50mA maximum current.

PWM

Range — Adjustable period from 2 to 65seconds

Thermal Actuator Management — Adjustable warm up and cool down time

Floating

Minimum Pulse On/Off Time — 500milliseconds

Drive Time Period — Adjustable

0 to 10VDC

Voltage Range — 0 to 10VDC linear

Source Current — Maximum 20 mA at 10VDC (minimum load resistance 600 Ω)

Specifications - Digital Output (DO)

General

Output Type _____ 24VAC Triac; software configurable

Maximum Current per Output _____ 0.5A continuous

_____ 1A @ 15% duty cycle for a 10-minute period

Power Source _____ External or internal power supply (jumper selectable)

0 or 24VAC (On/Off)

Range _____ 0 or 24VAC

PWM

Range _____ Adjustable period from 2 to 65seconds

Floating

Minimum Pulse On/Off Time _____ 500milliseconds

Drive Time Period _____ Adjustable

Power Source _____ External or internal power supply (jumper selectable)

Specifications subject to change without notice.

Distech Controls, the Distech Controls logo, Innovative Solutions for Greener Buildings, Allure, ECO-Vue, and Open-To-Wireless are trademarks of Distech Controls Inc.; LonWorks, LON, and LNS are registered trademarks of Echelon Corporation; BACnet is a registered trademark of ASHRAE; BTL is a registered trademark of the BACnet Manufacturers Association; NiagaraAX Framework is a registered trademark of Tridium, Inc.; EnOcean is a registered trademark of EnOcean GmbH.

All other trademarks are property of their respective owners.

©, Distech Controls Inc., 2015. All rights reserved.

