


Job Name:		Location:			
Purchaser:					
Engineer:					
Submitted To:		For	Reference	Approval	Construction
Submitted By:		Date:			
Unit Designation, Schedule #:		Model No.:			
<b>Features:</b>					
<ul style="list-style-type: none"> <li>Connect natively with VRF communication bus of all leading VRF manufacturers</li> <li>Connect automatically to CoolAutomation Cloud infrastructure for remote cloud services.</li> <li>Physical Interfaces               <ul style="list-style-type: none"> <li>o RS485</li> <li>o Ethernet</li> </ul> </li> <li>LCD touch screen for easy and intuitive local device configuration</li> <li>Multi brand support on a single device</li> </ul> <p>* Consult with CoolAutomation for supported devices or ways to add additional devices.</p>					
<b>Power</b>					
Power Supply: <small>(Power adapter included)</small>		120VAC 60 Hz /220VAC 50 Hz			
Power Consumption:		1.5 Watt			
<b>Operating Conditions</b>					
Surrounding Temperature Limits:		-10° C to +60° C +14 F to +140 F			
Humidity (%)		0% to 96%			
Dimensions (H x W x D) (inches/mm)		3.54 x 6.14 x 1.37 / 90 x 156 x 35			
Weight (lbs/kg)		0.58/265			
Maximum connected Outdoor units* <small>*Per HVAC vendor specifications</small>		10-40			
Maximum connected Indoor units* <small>*Per HVAC vendor specifications</small>		256			
Communication with HVAC System* <small>(Manufacturer dependent)</small>		2-3 wires, Shielded Cable			

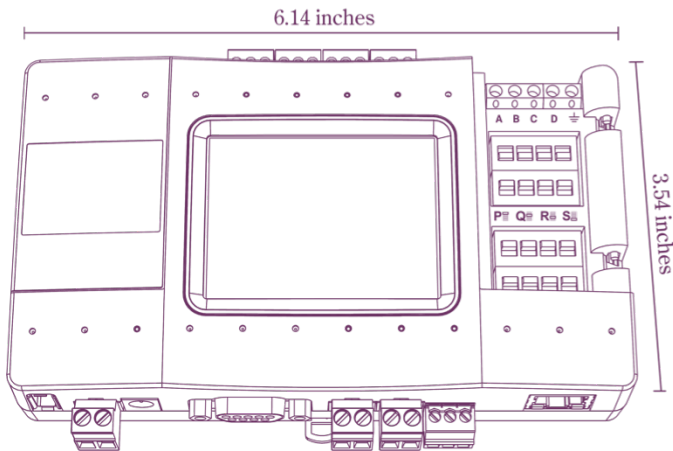
Configuration and engineering for each project are necessary. Specifications are subject to change without notice.

### SDS – CloudBox

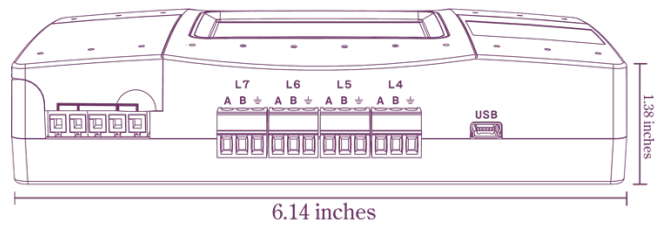
CoolAutomation products are subject to continuous improvements. CoolAutomation reserves the right to modify product design, specifications and information in this datasheet without notice and without incurring any obligations.

## Dimensional drawings:

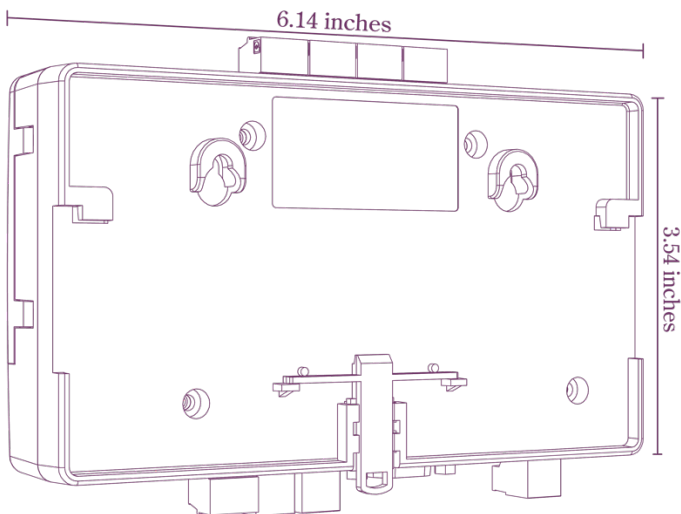
**Front View**



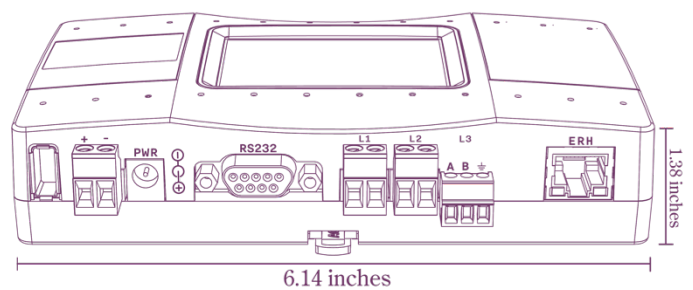
**Top View**



**Back View**



**Bottom View**



**SDS – CloudBox**

CoolAutomation products are subject to continuous improvements. CoolAutomation reserves the right to modify product design, specifications and information in this datasheet without notice and without incurring any obligations.