



TAC
1354 Clifford Avenue
P. O. Box 2940
Loves Park, IL 61132-2940
www.tac.com

AT-1100 Series

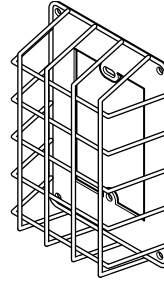
Thermostat Guards General Instructions

Application

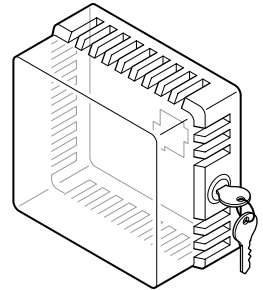
Room thermostat guards protect thermostats from damage and vandalism.

Features

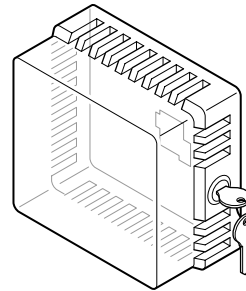
- Available in plastic, cast aluminum, or wire construction.
- Outlet or direct wall mounting.
- Tumbler type key lock available on some models.
- Mounting ring available for installing guard without removing thermostat from the wall.



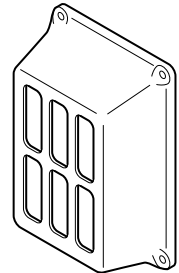
AT-1103
AT-1163



AT-1105



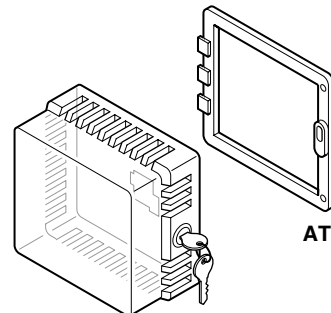
AT-1155



AT-1104

Applicable Literature

- AT-546 Auxiliary Mounting Base General Instructions, F-15658
- AT-602, 603, 607, 608, and 609-XXX Selector Switch Sub-bases and Legend Plates General Instructions, F-16059
- TAC Reference Manual, F-21683
- TAC Cross Reference Guide, F-23638
- TAC Pneumatic Products Catalog, F-27383



AT-1105

AT-1165

SPECIFICATIONS

Table-1 Thermostat Guard Dimensions.

TAC Model No.	Description	Inside Dimensions in. (mm)		
		H	W	D
AT-1103	Wire Guard with Steel Base Plate	4-1/4 (108)	2-5/8 (67)	1-5/8 (41)
AT-1104	Cast Aluminum Guard with Steel Base Plate	4-1/4 (108)	3-1/2 (89)	1-5/8 (41)
AT-1105	Clear Plastic Guard with Solid Base and Tumbler Type Key Lock	3-7/8 (98)	3-1/2 (89)	2-1/2 (63)
AT-1155	Clear Plastic Guard with Solid & Ring Base and Tumbler Type Key Lock	6-1/4 (159)	5-1/2 (140)	3-1/4 (83)
AT-1163	Wire Guard with Steel Base Plate	6-1/2 (165)	6-5/8 (168)	3-1/4 (83)
AT-1165	Clear Plastic Guard with Solid & Ring Base and Tumbler Type Key Lock	8 (203)	5-1/2 (140)	3-1/2 (89)

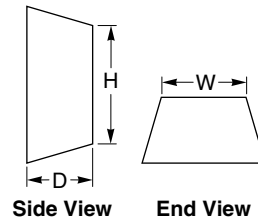


Figure-1 Dimensions.

Table-2 Thermostat and Guard Compatibility.

TAC Model No. (x indicates thermostat guard compatibility with listed devices)	Single Thermostat				Single Humidity, Temperature, or Sensing Element		Dual Thermostat
	TA-1101 TA-1102 TA-1501 TF-1111 TC-1100 Series TP-1011 TP-1031	TA-121 TA-135 TC-114	HKS-5033 TK-1XXX TK-5XXX TKR-1XXX TKR-5XXX TKS-5001	HC-101 Any 2x2 Wall Mounted Device	HS-8101 HSP-824X TP-8101 TP-8102 TP-8121 TP-8124 TP-8232 TS-5191 TS-5711 TS-5811 TS-8101 TS-811X TS-8811 TSP-8X15X	HSP-814X TS-57011 Series TS-58001 Series TS-81001 Series TS-90110 TSMN-57011-850 TSMN-58011 TSMN-81011 TSP-8X251	TC-1151 TC-1161
AT-1103	x		x		x		
AT-1104	x		x		x	x	
AT-1105	x		x	x	x		
AT-1155	x*		x	x	x*	x	x
AT-1163	x† ‡	x**	x‡		x†‡	x	x*
AT-1165	x*	x	x	x	x*		x*

* Can be installed with or without AT sub-bases.

† Requires an AT-504 or AT-600 series sub-base.

‡ AT-1163 will accept two single stats on an AT-546 auxiliary mounting base.

** Requires an AT-504 auxiliary mounting base (except TA-135).

ACCESSORIES

AT-546 Dual Mounting Base.

AT-600 Series Selector Switch Sub-bases and Legend Plates.

INSTALLATION

Inspection

Inspect the package for damage. If damaged, notify the appropriate carrier immediately. If undamaged, open the package and inspect the device for obvious damage. Return damaged products.

Requirements

- Tools (not provided):
 - Appropriate screwdriver, drill, and drill bit for mounting screws.
- Appropriate accessories.
- Mounting screws (not provided).
- Training: Installer must be a qualified, experienced technician.

Location

▼ CAUTION

Do not locate unit in areas subject to excessive moisture, corrosive fumes, or vibration. NEMA Type 1 devices are intended for indoor use primarily to provide a degree of protection against contact with the enclosed equipment.

Mounting

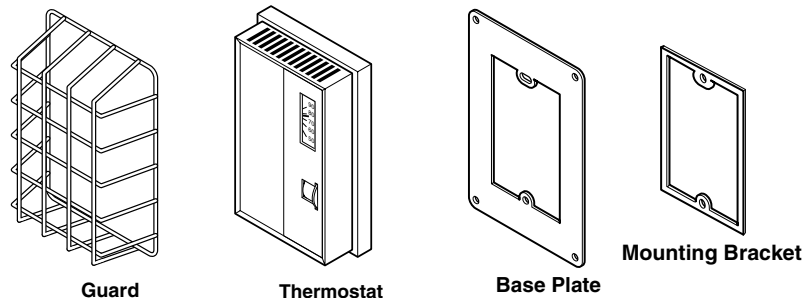


Figure-2 Typical of AT-1103, AT-1104, and AT-1163.

NOTE

Make wiring connections to thermostat as required during installation.

AT-1103 Wire Guard & AT-1104 Aluminum Guard (Figure-2)

To mount thermostat with mounting bracket:

1. Using screws provided with thermostat, attach mounting bracket and base plate to switch box.
2. Make required connections to thermostat and attach thermostat to mounting bracket.
3. Attach guard to base plate using the four Phillips head screws provided with the guard.

To mount thermostat without mounting bracket:

1. Make required connections to thermostat.
2. Using screws provided with thermostat, attach thermostat and base plate to switch box.
3. Attach guard to base plate using the four Phillips head screws provided with the guard.

AT-1163 Wire Thermostat Guard (Figure-2)

To mount thermostat without sub-base or auxiliary mounting base:

1. Using screws provided with thermostat, attach mounting bracket and base plate to switch box.
2. Make required connections to thermostat and attach thermostat to mounting bracket.
3. Attach guard to base plate using the four Phillips head screws provided with the guard.

To mount thermostat with auxiliary mounting base or AT-546:

1. Attach thermostat bracket, auxiliary mounting base, and base plate to switch box as required with screws provided.
2. Make required connections to thermostats.
3. Attach guard to base plate using the four Phillips head screws provided with the guard.

To mount thermostat with AT-600 Series sub-base:

1. Using screws provided with device, attach AT-600 Series sub-base and base plate to switch box.
2. Make required connections to sub-base.
3. Attach thermostat mounting bracket as required and make required connections to thermostat.
4. Using screws provided, attach thermostat to sub-base or mounting bracket on sub-base.
5. Attach guard to base plate using the four Phillips head screws provided with the guard.

AT-1105, AT-1155, or AT-1165 Plastic Thermostat Guards (Figure-3)

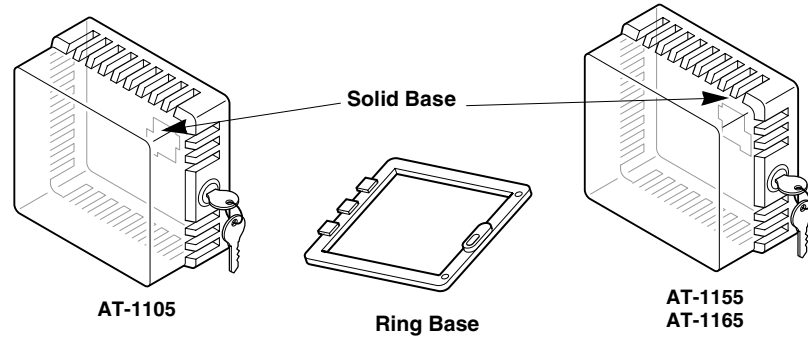


Figure-3 Typical of AT-1105, AT-1155, and AT-1165.

To mount guard and thermostat with solid base:

1. Remove thermostat guard cover from the base and put base down with paper template side up.
2. Center the thermostat (or sub-base) and align at least two thermostat (or sub-base) mounting holes with corresponding holes on the template and mark holes with a pencil.
3. If possible, use the same screws to attach both the guard base and thermostat (or sub-base) to the wall or to an outlet box.
4. If the guard and thermostat must mount separately, make the holes for the thermostat and use the self-tapping screws.
5. Select two other holes for mounting the guard to the wall.
6. Punch out the holes as marked on the template, making the holes large enough for the preselected screws.
7. Pull enough wire from the wall to make connection to the thermostat or sub-base. Pull wire through opening in the guard sub-base.
8. If necessary, connect wires to thermostat before mounting thermostat and guard base.
9. Mount thermostat and guard base to wall or outlet box.
10. Attach wires to thermostat, mount the thermostat to guard base, and lock the thermostat guard cover onto the base.

To mount ring base (AT-1155 and AT-1165 only):

1. Place the ring base around mounted thermostat and center thermostat in the opening.
2. Mark mounting holes, making sure ring base is parallel to thermostat.
3. Using mounting screws provided, mount the ring base to the wall and lock cover onto base.