



TAC
1354 Clifford Avenue
P. O. Box 2940
Loves Park, IL 61132-2940
www.tac.com

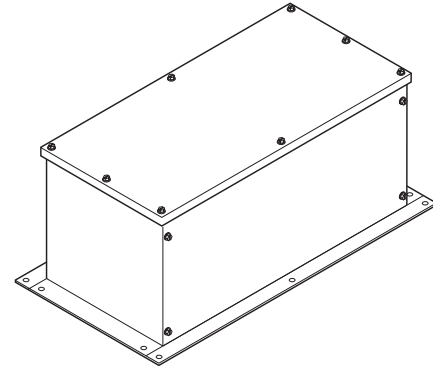
AM-674, AM-675 AM-714

Weather Shield Base Mounting Plate For TAC DuraDrive™ Actuators General Instructions

Applications

The AM-674 and the AM-714 weather shields provide moderate weather protection for damper actuators which are mounted outdoors. While these weather shields provide effective, moderate, weather protection, they are not designed as a water-tight enclosure.

The AM-675 base mounting plate is used with the AM-674 and AM-714 weather shields if a suitable mounting surface for the weather shield is not present.



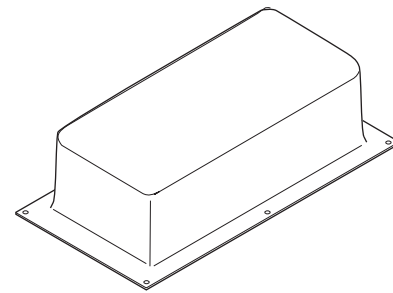
AM-674

Features

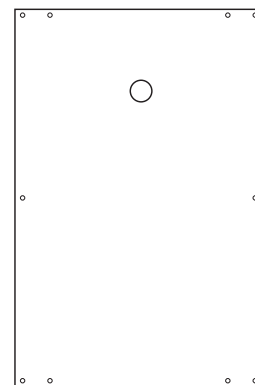
- Provides weather protection for TAC DuraDrive actuators. See Model Chart.

Applicable Literature TAC

- MX4X-7XXX and MX40-6XXX Series TAC DuraDrive Actuator Selection Guide, F-26646
- Cross-Reference Guide, F-23638
- MA4X-7XX3, MA4X-7XX3-50X, MA4X-7XXX, MA4X-7XXX-50X TAC DuraDrive Series Spring Return Two-Position Actuators General Instructions, F-26642
- MF4X-7XX3, MF4X-7XX3-50X TAC DuraDrive Series Spring Return Floating Actuator General Instructions, F-26644
- MS4X-7XX3, MS4X-7XX3-50X TAC DuraDrive Series Spring Return Proportional Actuator General Instructions, F-26645
- MA40-717X TAC DuraDrive Series Spring Return Direct Coupled Actuator General Instructions, F-26742
- MF40-6083, MF40-6153 TAC DuraDrive Series Non-Spring Return Direct Coupled Actuator General Instructions, F-26743
- MF40-6343 TAC DuraDrive Series Non-Spring Return Direct Coupled Actuator General Instructions,



AM-714



AM-675

- MS40-634X TAC DuraDrive Series Non-Spring Return Direct Coupled Actuator General Instructions, F-26745
- MS40-6083, MF40-6153 TAC DuraDrive Series Non-Spring Return Direct Coupled Actuator General Instructions, F-26747
- MS40-717X TAC DuraDrive Series Spring Return Direct Coupled Actuator General Instructions, F-26748
- MF40-7173 TAC DuraDrive Series Spring Return Direct Coupled Actuator General Instructions, F-26749

Table-1 Model Chart.

| Model | Description | For Use With |
|--------|---------------------|--|
| AM-674 | Weather Shield | MA40-704X, MF40-7043, MS40-7043, MA4X-707X, MF4X-7073, MS4X-7073, MA4X-715X, MF4X-7153, MS4X-7153, MA40-717X, MF40-7173, MS40-7173, MF40-6083, MS40-6083, MF40-6153, MS40-6153, MF40-6343, MS40-634X |
| AM-675 | Base Mounting Plate | AM-674, AM-714 |
| AM-714 | Weather Shield* | MA40-704X, MF40-7043, MS40-7043, MA4X-707X, MF4X-7073, MS4X-7073, MA4X-715X, MF4X-7153, MS4X-7153, MF40-6083, MS40-6083, MF40-6153, MS40-6153 |

*The MX40-6XXX actuators cannot use the AM-714 weather shield when an auxiliary switch is mounted to the actuator.

SPECIFICATIONS

Material:

- AM-674**, 16 GA Galvanized Steel
- AM-675**, 12 GA Galvanized Steel
- AM-714**, Smoke-tinted Polycarbonate

INSTALLATION

Inspection

Inspect the package for damage. If damaged, notify the appropriate carrier immediately. If undamaged, open the package and inspect the device for obvious damage. Return damaged products.

Requirements

- Tools (not provided):
 - Appropriate screwdriver for the mounting screws used on the weather shield and the base mounting plate
- Training: Installer must be a qualified, experienced technician.
- #8 sheet metal screws (not provided)
- No. 24 drill bit for #8 sheet metal screws
- Other accessories as appropriate
- Wiring diagrams for the applicable hardware

Mounting

Mount the weather shield and base mounting plate onto the damper actuator as follows:

1. The weather shield must be mounted onto a flat, rigid surface that is at least as large as the base of the weather shield. If the actuator mounting surface does not meet this requirement, mount the optional AM-675 base mounting plate before mounting the damper actuator and weather shield, as follows:

- a. Evaluate the mounting surface to define the number and locations of mounting holes for the base mounting plate.
 - b. Mark the mounting hole locations on the base mounting plate (See Figure-3). Drill the mounting holes at the marked locations.
 - c. Position the base mounting plate on the mounting surface. Transfer the mounting hole locations from the base mounting plate to the mounting surface.
 - d. Drill the holes at the transferred locations in the mounting surface. Secure the base mounting plate to the mounting surface, using the supplied screws.
2. Shorten both ends of the damper actuator's anti-rotation mounting bracket, if necessary to fit inside weather shield, by cutting it at each end (See Figure-1). Mount the damper actuator onto the base mounting plate. Install any accessories onto the actuator, as applicable.

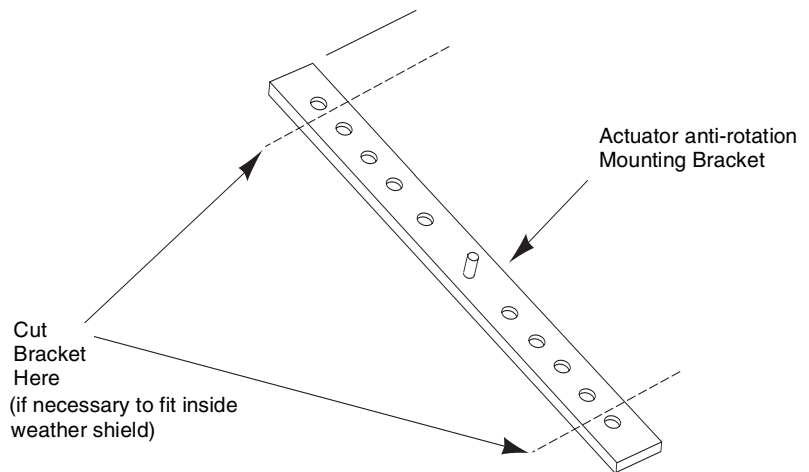


Figure-1 Shortening the Actuator Mounting Bracket.

3. Assemble the weather shield as follows:

NOTE

The AM-674 weather shield is supplied disassembled. This allows the following options: to assemble the shield completely so as to totally conceal the damper actuator, or to assemble it partially, leaving the bottom open to provide easy access to the actuator.

- a. Assemble the ends and sides, omitting a side or end as desired, to allow easy access to the actuator.
- b. If the base mounting plate is not used, position the weather shield on the mounting surface. Transfer the mounting hole locations from the weather shield to the mounting surface (See Figure-3). Drill the holes at the transferred locations in the mounting surface.

CAUTION

When applying the foam gasket, take care that the gasket is not stretched and that the surface is clean and dry. Stretching the gasket may cause it to shrink and loosen with age.

- c. A foam gasket is supplied with the weather shield. It may be installed to provide a better seal between the weather shield and its mounting surface, or between the cover and the sides of the weather shield. If the foam gasket is to be used on the cover, peel the backing from the gasket, then apply the gasket onto the inside mounting surface of the cover. If the foam gasket is to be used between the weather shield and its mounting surface, peel the backing from the gasket, then apply the gasket onto the mounting flange of the weather shield.

- d. If a more weather-tight installation is desired, apply a silicon sealer on all the inside seams of the weather shield.
- e. Install the weather shield onto the mounting surface or the base mounting plate, if used.

MAINTENANCE

The weather shield and base mounting plate require no maintenance.

Regular maintenance of the total system is recommended to assure sustained, optimum performance.

Visually inspect the AM-714 for moisture build-up inside the shield.

FIELD REPAIR

None. Replace any damaged or failed components with functional replacements.

DIMENSIONAL DATA

See Figure-2 for dimensional data for Weather Shield AM-674.

See Figure-3 for dimensional data for Base Mounting Plate AM-675.

See Figure-4 for dimensional data for Weather Shield AM-714.

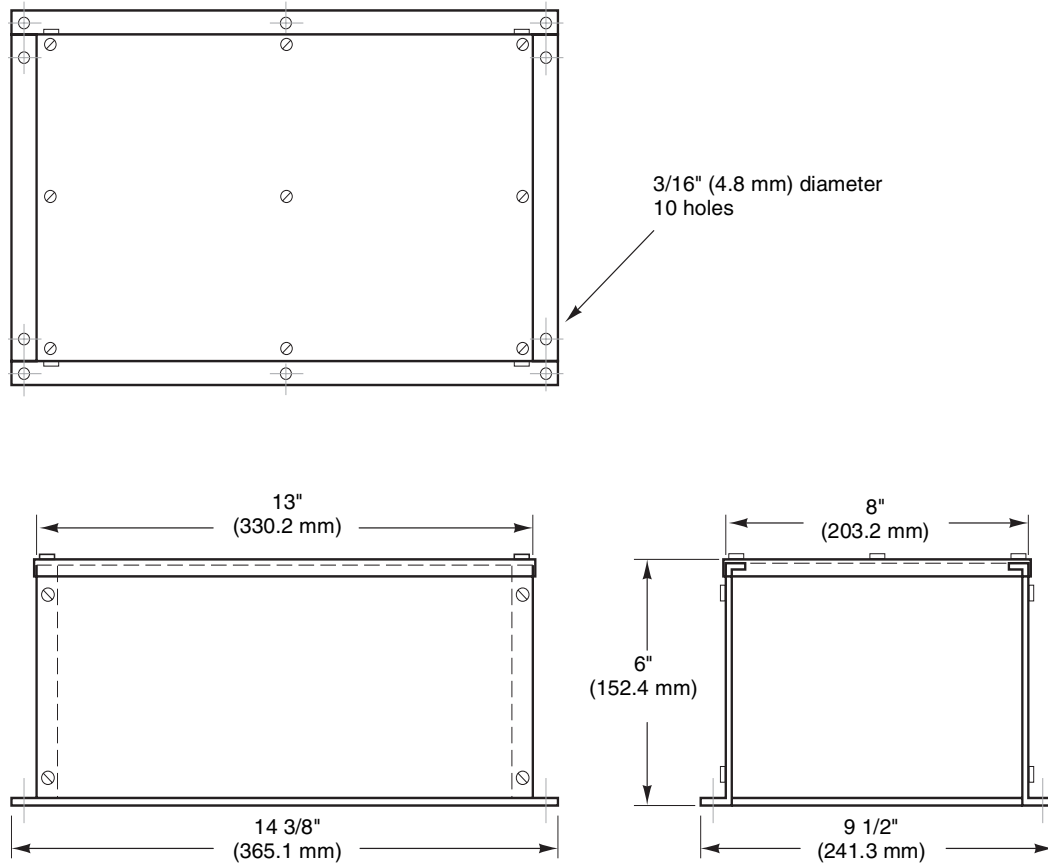


Figure-2 Dimensions of Weather Shield AM-674.

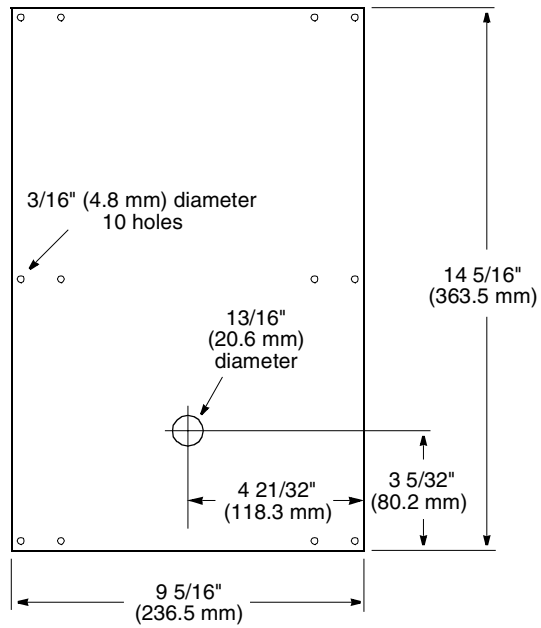


Figure-3 Dimensions of Base Mounting Plate AM-675.

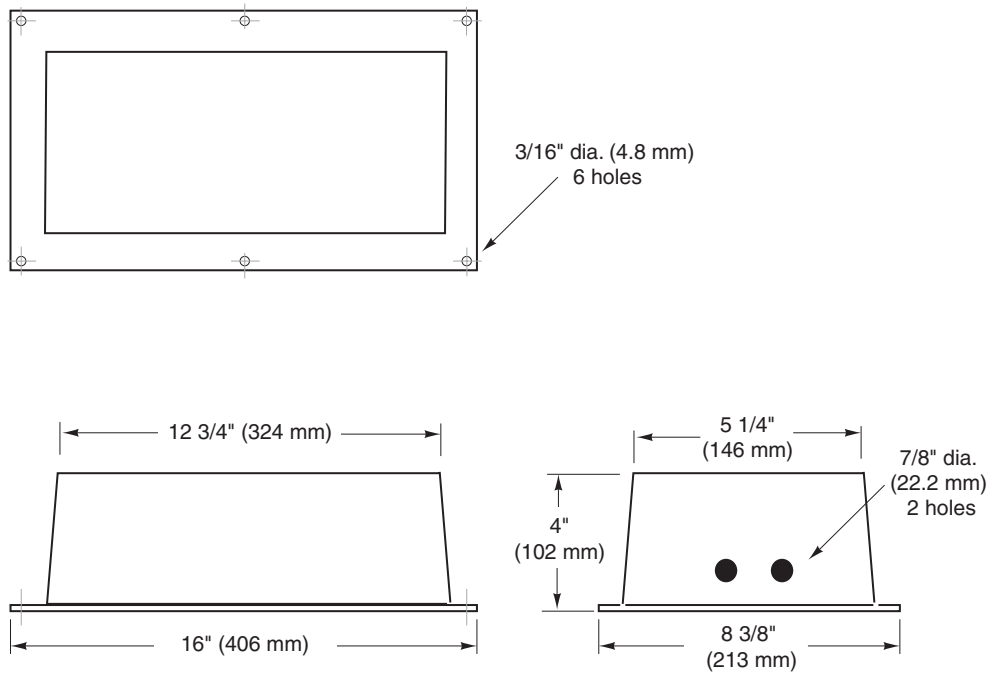


Figure-4 Dimensions of Weather Shield AM-714.

Copyright 2006, TAC
All brand names, trademarks and registered
trademarks are the property of their respective
owners. Information contained within this
document is subject to change without notice.

TAC
1354 Clifford Avenue
P.O. Box 2940
Loves Park, IL 61132-2940

F-25097-3



www.tac.com

